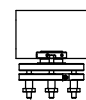
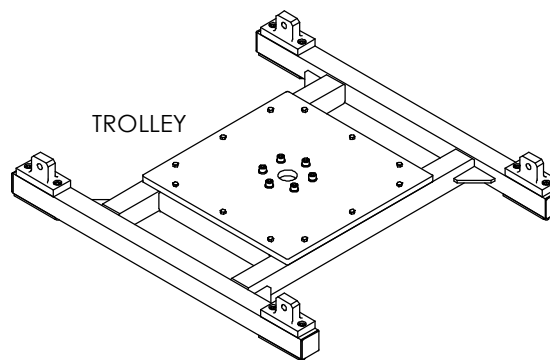
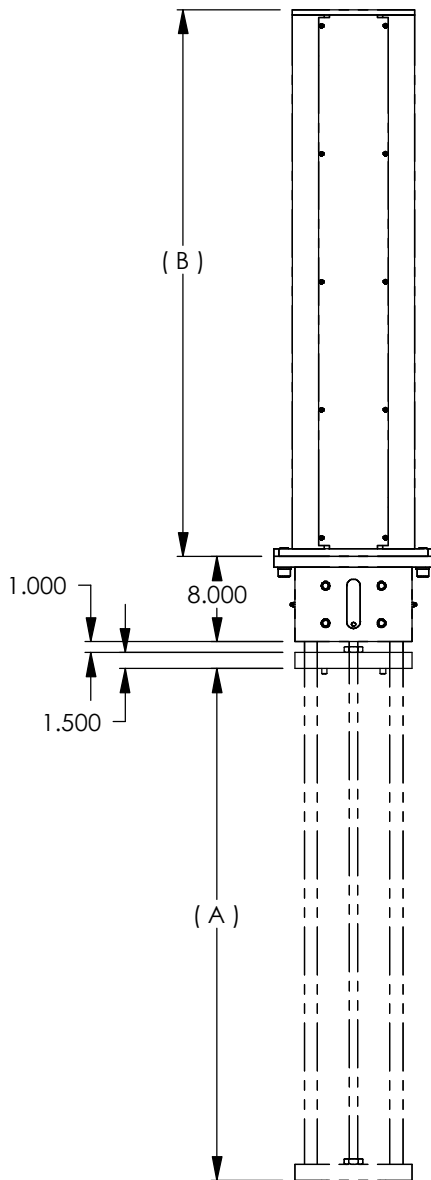
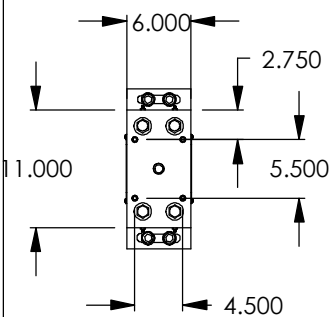
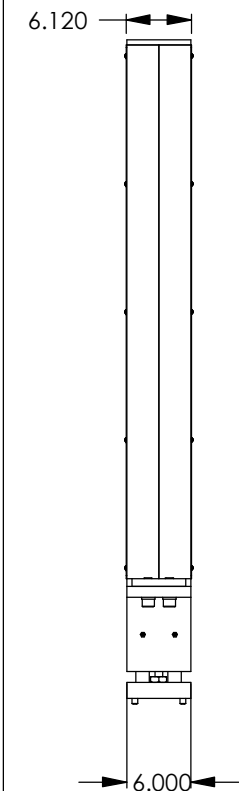


6X ϕ .422 X THRU
1/2-13 UNC ϕ 5.375



ROTATING END JOINT
(8620308)

- Standard Features
- End-of-travel cushions for smooth operation
 - Replaceable air cylinder
 - Heavy duty construction for long life
 - Pistol Grip metering valve control for vertical lift
 - Tool Mount Plate for easy attachment of end-effectors
 - Provides moment loading capabilities
 - Does not require air lubricator

- Available Options
- Optional Stroke Adjustment for precise, repetitive operation
 - Mounting Options: single arm jib crane, articulated jib crane or overhead bridge crane
 - Up to 360 degrees continuous end-effector rotation
 - Multiple end-effectors available for various applications

Model	Lift	Capacity*	Cylinder Bore	Max Moment	For All Models	
					(A)	(B)
	in (mm)	lbs/kg	in/mm	in-lbs/N-m	(inches)	
54AG-XXTHS	6-60 (152.4-1524)	500/226	3.0/76.2	5000/565	6	9.25
					12	12.25
					18	21.25
					24	27.25
54BG-XXTHS	6-60 (152.4-1524)	750/340	4.0/101.6	5000/565	30	33.25
					36	39.25
					48	51.25
					54	57.25
					60	63.25

*Requires 90 PSI (6.21 bar) clean, dry air to operate at rated capacity
Maximum deflection for all models: 0.080 inches

UNLESS OTHERWISE SPECIFIED ALL DESIGNS, SKETCHES AND DRAWINGS ARE THE PROPERTY OF POSITECH CORPORATION LETTING, OR ALLOWING TO BE LET, THE KNOWLEDGE FOR DESIGN AND/OR FABRICATION FROM SAID DESIGNS, SKETCHES OR DRAWINGS WITHOUT THE WRITTEN CONSENT OF POSITECH CORPORATION IS EXPRESSLY FORBIDDEN.

BREAK ALL SHARP EDGES TO .005 MAX

DWG SIZE:	WGT: 185.364 LBS	MATL:	PARTS TO BE MFG TO QWI-75-15
	SIM TO: 20509654	MQTY:	
MATL DESC:			

.X \pm .1
 .XX \pm .03
 .XXX \pm .005
 1/X \pm 1/32
 ANGLE \pm .5°
 WELD +1/8
 -0



ULTRAMATION V-LIFT ASSY W/ LOW FRICTION CYL AND NO REAR SEAL

SCALE: 1:1	DATE: Mar/09/2006	DRAWN BY: BEN
CLASS CODE: 750	DWG NO: EZ LIFT 54	SHT: 1 of 1 REV: