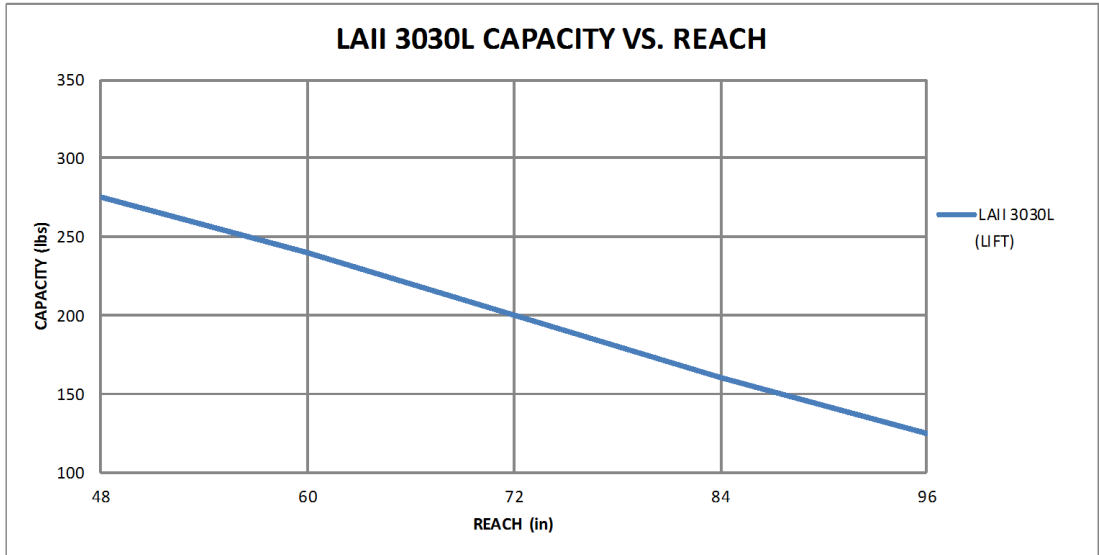
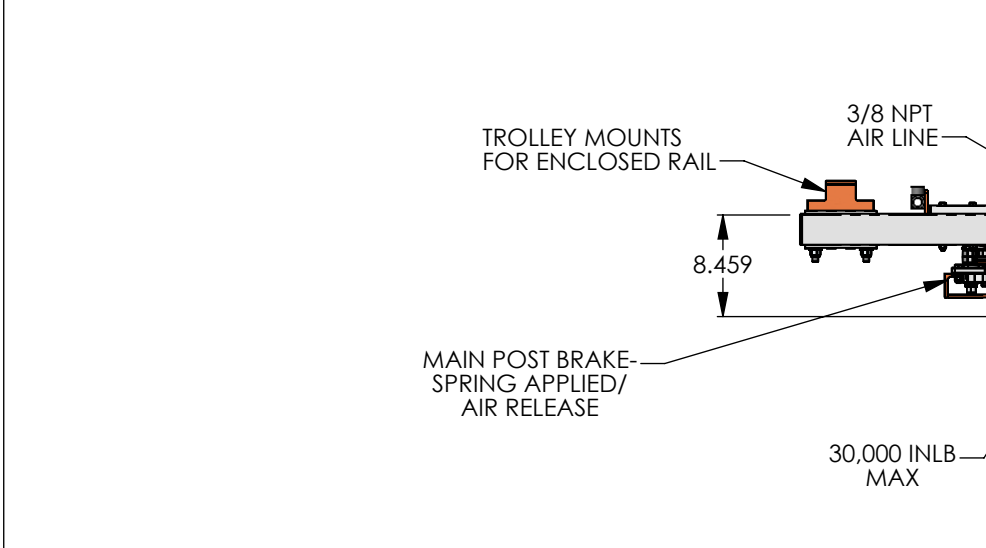


| Model | Reach (in) | Lift (in) | Capacity* (lbs) | Extension Length (in) | Lift Arm Length (in) | Base Machine Weight (lbs) | Reach Reduction "RR" (in) |
|-------------|------------|-----------|-----------------|-----------------------|----------------------|---------------------------|---------------------------|
| LAI13030L-4 | 48 | 36 | 275 | 9 | 36 | 275 | 5 |
| LAI13030L-5 | 60 | 42 | 240 | 15 | 42 | 285 | 6 |
| LAI13030L-6 | 72 | 48 | 200 | 21 | 48 | 300 | 6 |
| LAI13030L-7 | 84 | 54 | 160 | 27 | 54 | 300 | 7 |
| LAI13030L-8 | 96 | 60 | 125 | 33 | 60 | 310 | 8 |

*Requires 90 psi (120 psi maximum) and 20 SCFM clean, dry air to operate at rated capacity; includes payload and end-effector
Add SCFM consumed by any additional pneumatic equipment



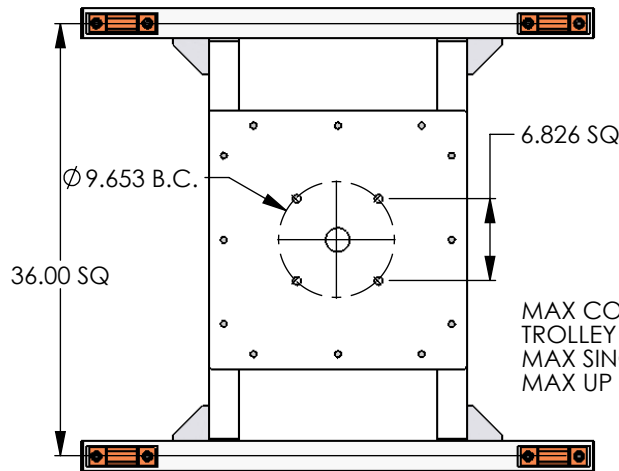
POSITECH RESERVES THE RIGHT TO CHANGE SPECIFICATIONS, DESIGNS, PRICES, OR DISCONTINUE MODELS/OPTIONS, AT ANYTIME, WITHOUT NOTICE.

ALL DESIGNS, SKETCHES AND DRAWINGS ARE THE PROPERTY OF POSITECH CORPORATION LETTING, OR ALLOWING TO BE LET, THE KNOWLEDGE FOR DESIGN AND/OR FABRICATION FROM SAID DESIGNS, SKETCHES OR DRAWINGS WITHOUT THE WRITTEN CONSENT OF POSITECH CORPORATION IS EXPRESSLY FORBIDDEN.

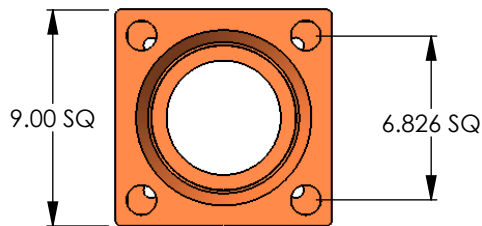


LODEARM® II - 3030L

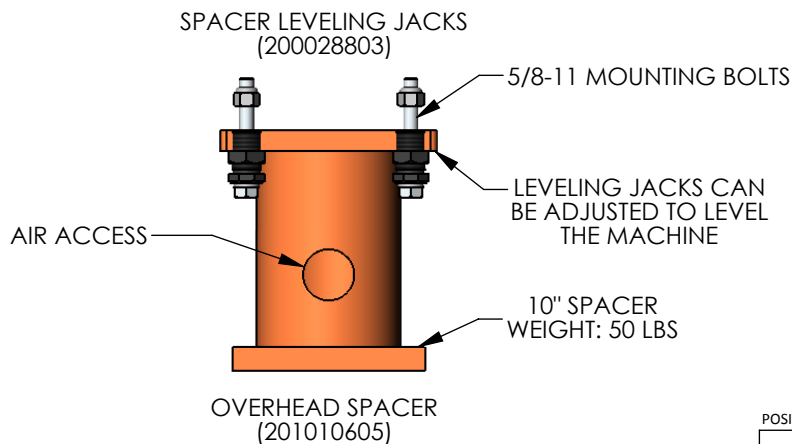
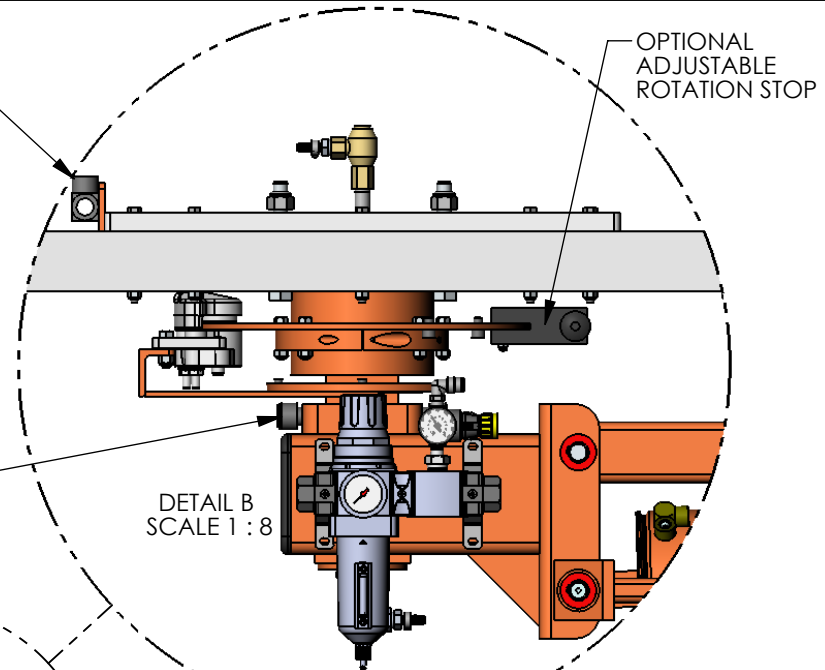
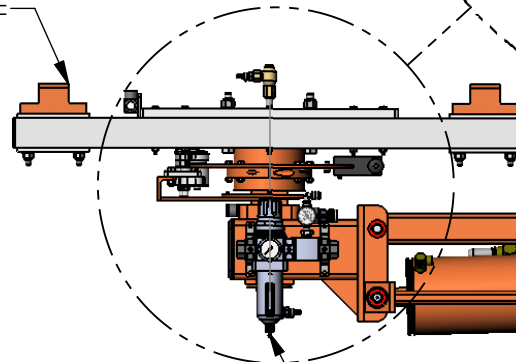
| | | | |
|-----------------|-----------------------------|---------------|------|
| SCALE: 1:24 | DATE: 8/1/2013 | DRAWN BY: kjb | |
| CLASS CODE: 985 | DWG NO: LODEARM® II - 3030L | SHT: 1 of 2 | REV: |



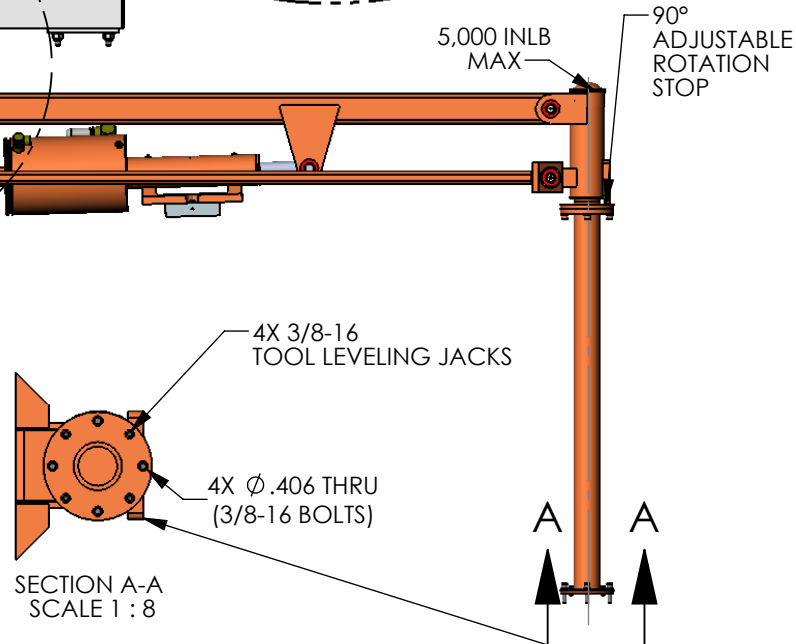
TROLLEY
(201217109)
WEIGHT: 100 LBS



MOUNTING OPTIONS AVAILABLE FOR MULTIPLE STYLES OF RAIL



FILTER REGULATOR/
MINIMUM LIFT REGULATOR



POSITECH RESERVES THE RIGHT TO CHANGE SPECIFICATIONS, DESIGNS, PRICES, OR DISCONTINUE MODELS/OPTIONS, AT ANYTIME, WITHOUT NOTICE.



LODEARM® II - 3030L

| | | | |
|-----------------|-----------------------------|---------------|------|
| SCALE: 1:24 | DATE: 8/1/2013 | DRAWN BY: kjb | |
| CLASS CODE: 985 | DWG NO: LODEARM® II - 3030L | SHT: 2 of 2 | REV: |

ALL DESIGNS, SKETCHES AND DRAWINGS ARE THE PROPERTY OF POSITECH CORPORATION LETTING, OR ALLOWING TO BE LET, THE KNOWLEDGE FOR DESIGN AND/OR FABRICATION FROM SAID DESIGNS, SKETCHES OR DRAWINGS WITHOUT THE WRITTEN CONSENT OF POSITECH CORPORATION IS EXPRESSLY FORBIDDEN.