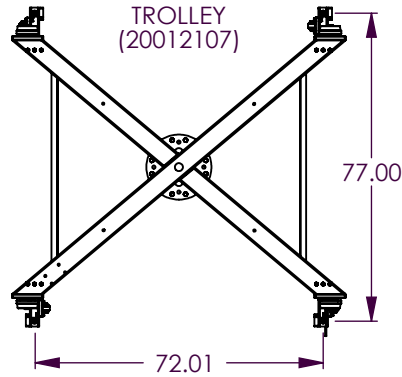


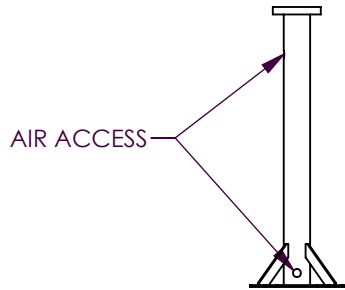
ALL DIMENSIONS ARE NOMINAL
AND MAY VARY



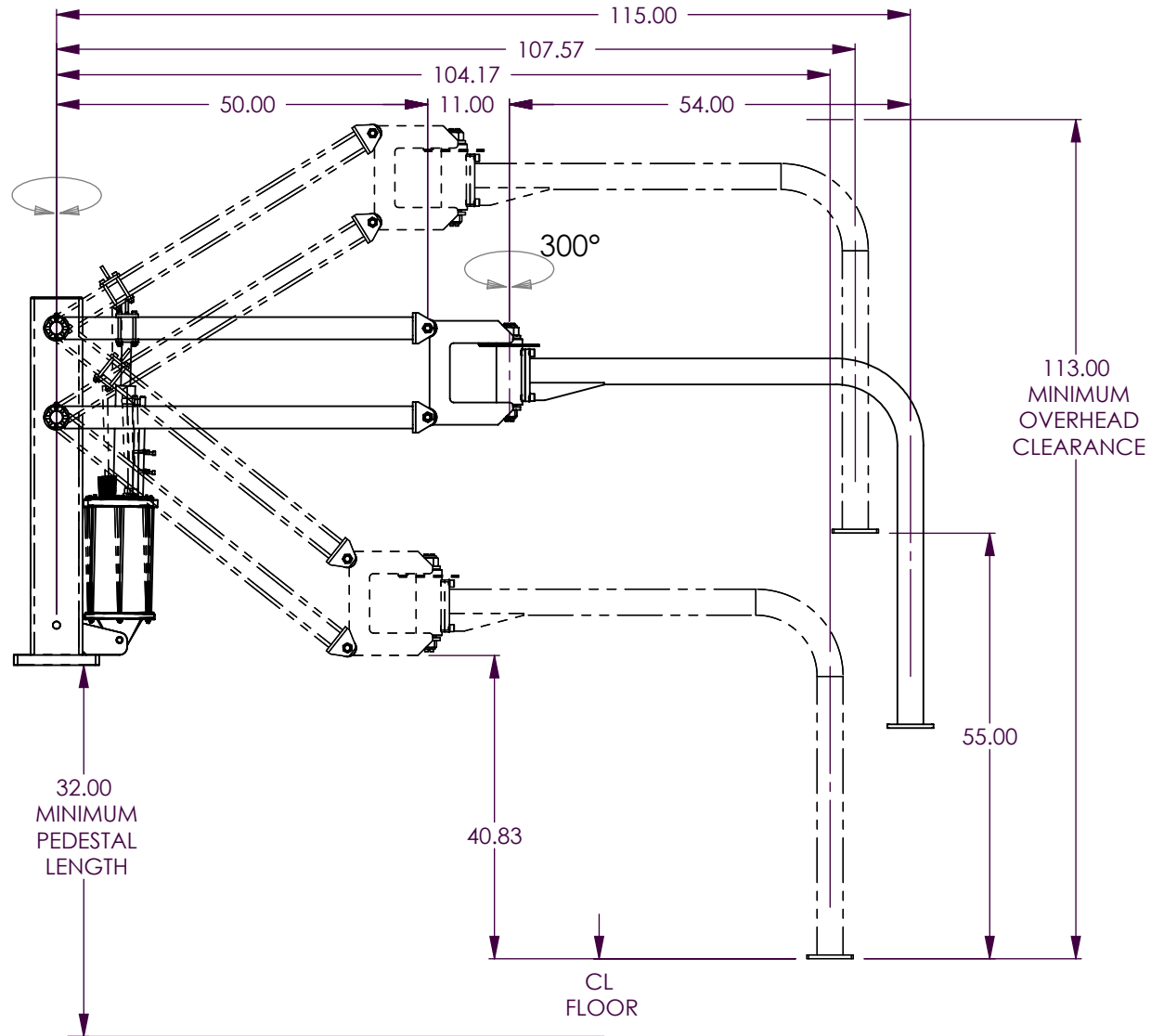
OVERHEAD SPACER
(200313176)



PEDESTAL
(200332201)



1" DIAMETER ANCHOR BOLTS RECOMMENDED



Required SCFM @ 90 psi*	Reach (inches)	Vertical Travel (inches)	Required Headroom w/ CL=0 (inches)	Minimum Pedestal Length w/ CL=0 (inches)	Minimum Overhead Spacer Length (inches)	Capacity** (lbs)	Base Machine Weight (lbs)	Maximum End of Arm Moment (360° Rotation) (inch-lbs)	Base Machine Moment (inch-lbs)	Maximum Moment at Main Post (inch-lbs)
49	115	55	113	40	2	440	650	10,000	145,000	75,273

*Add SCFM consumed by any additional pneumatic equipment

**Requires 90 psi (120 psi maximum) clean, dry air to operate at rated capacity, includes payload and end-effector

UNLESS OTHERWISE SPECIFIED .X ± .1 .XX ± .03 .XXX ± .005 1/X ± 1/32 ANGLE ± .5° WELD +1/8 -0				ALL DESIGNS, SKETCHES AND DRAWINGS ARE THE PROPERTY OF POSITECH CORPORATION LETTING, OR ALLOWING TO BE LET, THE KNOWLEDGE FOR DESIGN AND/OR FABRICATION FROM SAID DESIGNS, SKETCHES OR DRAWINGS WITHOUT THE WRITTEN CONSENT OF POSITECH CORPORATION IS EXPRESSLY FORBIDDEN.			
BREAK ALL SHARP EDGES TO .005 MAX				MATERIAL:		PARTS TO BE MFG TO QWI-75-15	
DWG SIZE:	WGT: 423.896 LBS		MQTY:				
		SIM TO: 200805321					
MATL DESC:							



WM-200

SCALE: 1:32	DATE: 18NOV03	DRAWN BY: JAS	
CLASS CODE: 737	DWG NO:	SHT: 1 of 1	REV: