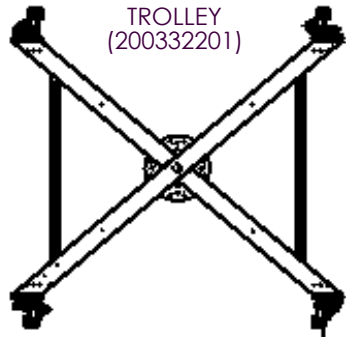


ALL DIMENSIONS ARE NOMINAL AND MAY VARY



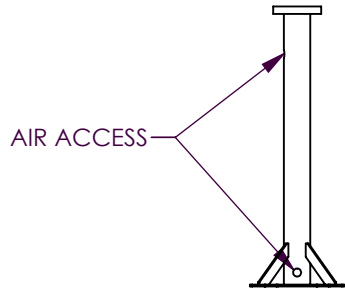
TROLLEY (200332201)

OVERHEAD SPACER (200313176)



AIR ACCESS

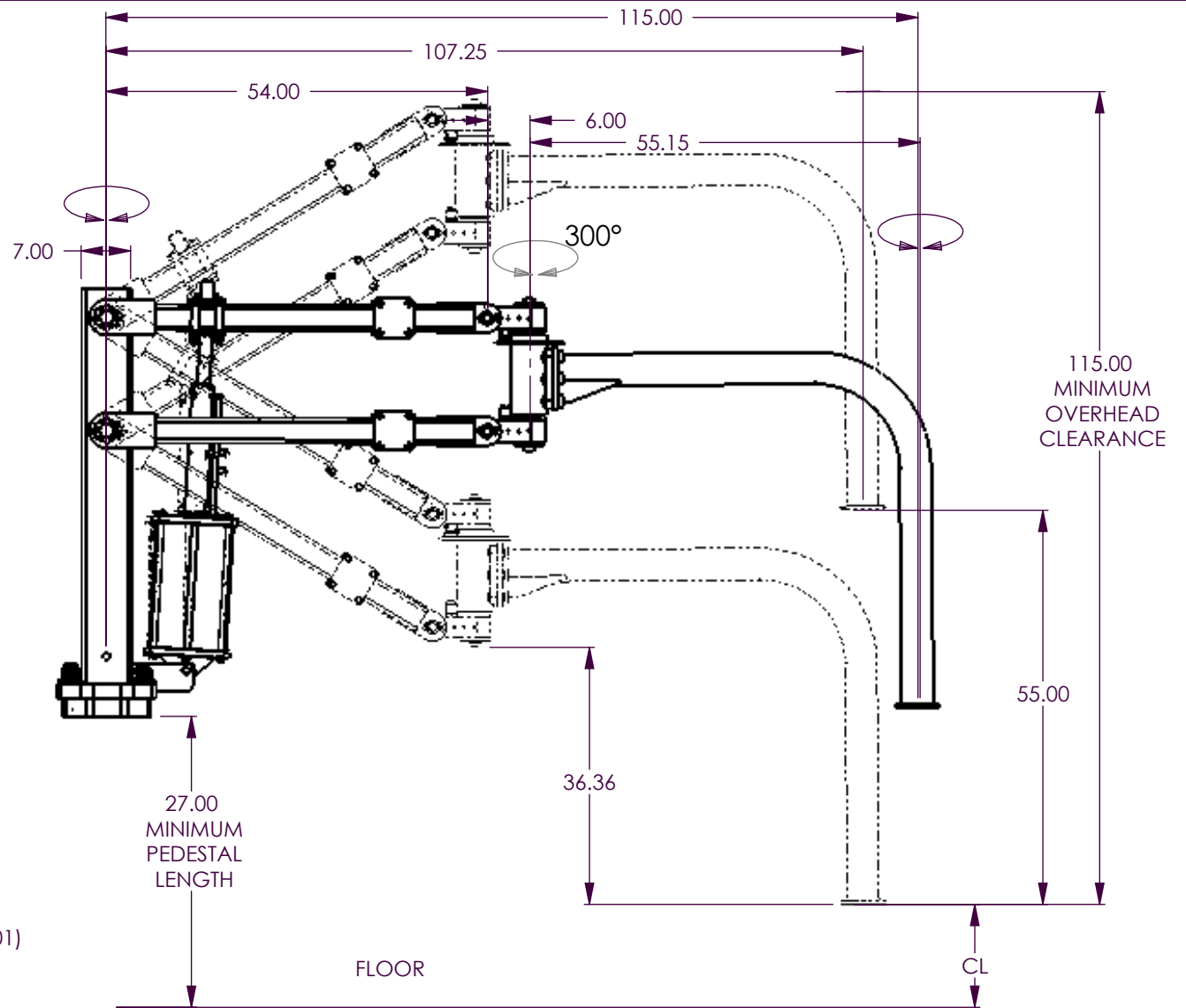
PEDESTAL (200112107)



AIR ACCESS

MOUNT WITH LEVELING JACK ASSEMBLY (200110001)

1" DIAMETER ANCHOR BOLTS RECOMMENDED



Required SCFM @ 90 psi*	Reach (inches)	Vertical Travel (inches)	Required Headroom w/ CL=0 (inches)	Minimum Pedestal Length w/ CL=0 (inches)	Minimum Overhead Spacer Length (inches)	Capacity** (lbs)	Base Machine Weight (lbs)	Maximum End of Arm Moment (360° Rotation) (inch-lbs)	Base Machine Moment (inch-lbs)	Maximum Moment at Main Post (inch-lbs)
104	115	55	115	27	2	660	1100	10,000	29,500	155,573

*Add SCFM consumed by any additional pneumatic equipment

**Requires 90 psi (120 psi maximum) clean, dry air to operate at rated capacity, includes payload and end-effector

UNLESS OTHERWISE SPECIFIED .X ± .1 .XX ± .03 .XXX ± .005 1/X ± 1/32 ANGLE ± .5° WELD +1/8 -0	ALL DESIGNS, SKETCHES AND DRAWINGS ARE THE PROPERTY OF POSITECH CORPORATION LETTING, OR ALLOWING TO BE LET, THE KNOWLEDGE FOR DESIGN AND/OR FABRICATION FROM SAID DESIGNS, SKETCHES OR DRAWINGS WITHOUT THE WRITTEN CONSENT OF POSITECH CORPORATION IS EXPRESSLY FORBIDDEN.		
	BREAK ALL SHARP EDGES TO .005 MAX		
	DWG SIZE:	WGT: 423.896 LBS SIM TO: 200805321	MATL: MQTY:
	MATL DESC:	PARTS TO BE MFG TO QWI-75-15	



WM-300

SCALE: 1:32	DATE: 18NOV03	DRAWN BY: JAS	
CLASS CODE: 737	DWG NO:	SHT: 1 of 1	REV: