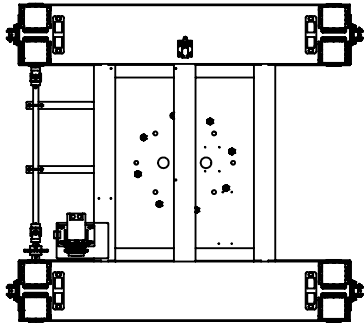
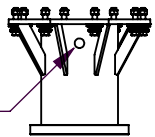


ALL DIMENSIONS ARE NOMINAL
AND MAY VARY

TROLLEY
(8505300)



LEVELING JACKS
(9434106)

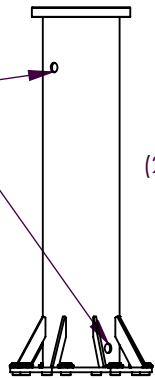


AIR ACCESS

OVERHEAD SPACER
(20015800)

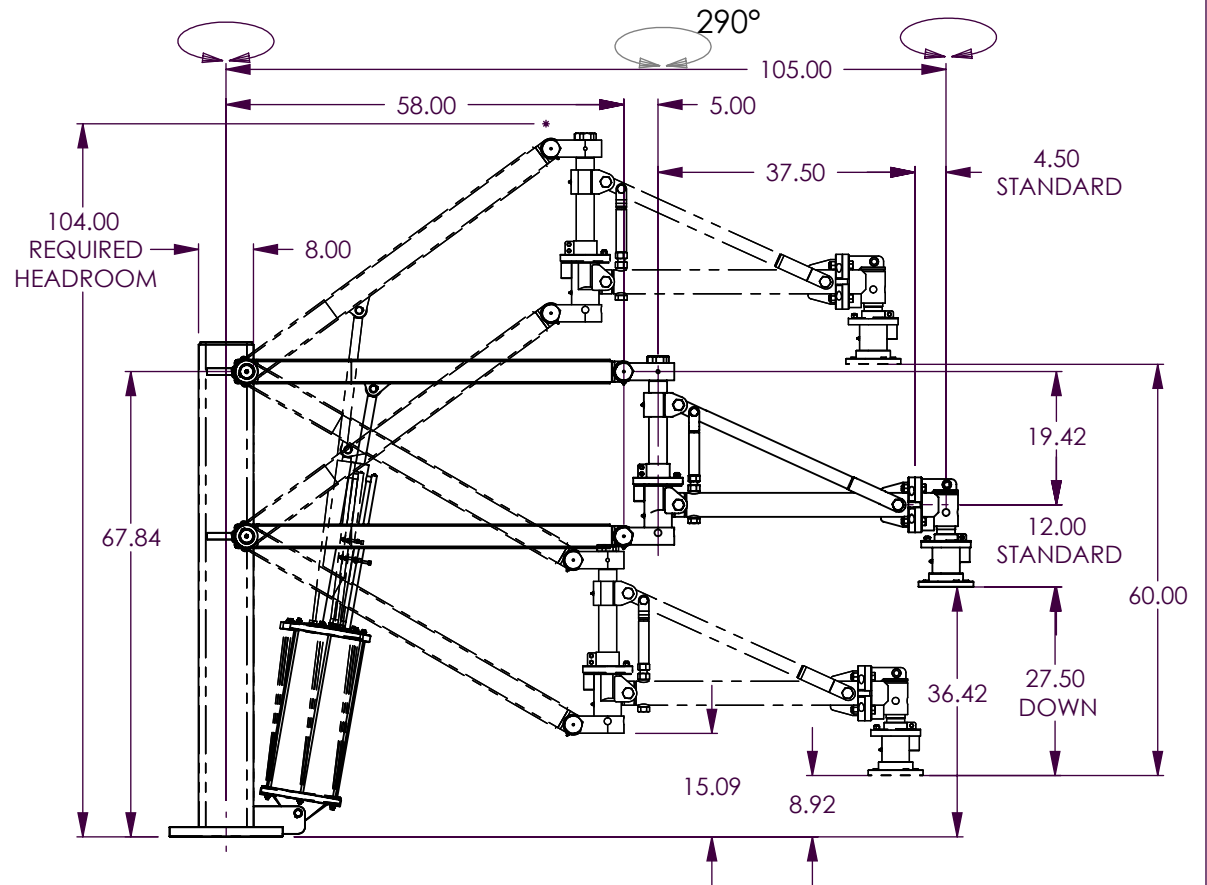
AIR ACCESS

PEDESTAL
(200115800)



LEVELING JACKS
(7827002, 7822105)

1" DIAMETER ANCHOR BOLTS RECOMMENDED



Capacity* (lbs)	Reach (in)	Vertical Travel (in)	Required Headroom (in)	Base Machine Weight (lbs)	Maximum End of Arm Moment (360° Rotation) (in-lbs)	Base Machine Moment (in-lbs)	Maximum Moment at Main Post (in-lbs)	Maximum Moment at Endjoint (in-lbs)	Required SCFM**	Electrical Supply (Amps)	Electrical Supply (Volts)
1,000	111	60	103	1,300	24,000	40,000	175,167	24,000	10	15	480/60/3

*Requires 90 psi (120 psi max) clean, dry air to operate at rated capacity, includes payload and end-effector

**Add SCFM consumed by any additional pneumatic equipment

UNLESS OTHERWISE SPECIFIED			
ALL DESIGNS, SKETCHES AND DRAWINGS ARE THE PROPERTY OF POSITECH CORPORATION LETTING, OR ALLOWING TO BE LET, THE KNOWLEDGE FOR DESIGN AND/OR FABRICATION FROM SAID DESIGNS, SKETCHES OR DRAWINGS WITHOUT THE WRITTEN CONSENT OF POSITECH CORPORATION IS EXPRESSLY FORBIDDEN.			
.X ± .1	BREAK ALL SHARP EDGES TO .005 MAX		
.XX ± .03	DWG	WGT: 1282.766 LBS	MATL:
.XXX ± .005	SIZE:	SIM TO:	PARTS TO BE MFG TO QWI-75-15
1/X ± 1/32	MQTY:		
ANGLE ± .5°	MATL DESC:		
WELD + 1/8			
- 0			



WM-450

SCALE: 1:40	DATE: 3/1/2010	DRAWN BY:	
CLASS CODE: 500	DWG NO: WM-450	SHT: 1 of 1	REV: