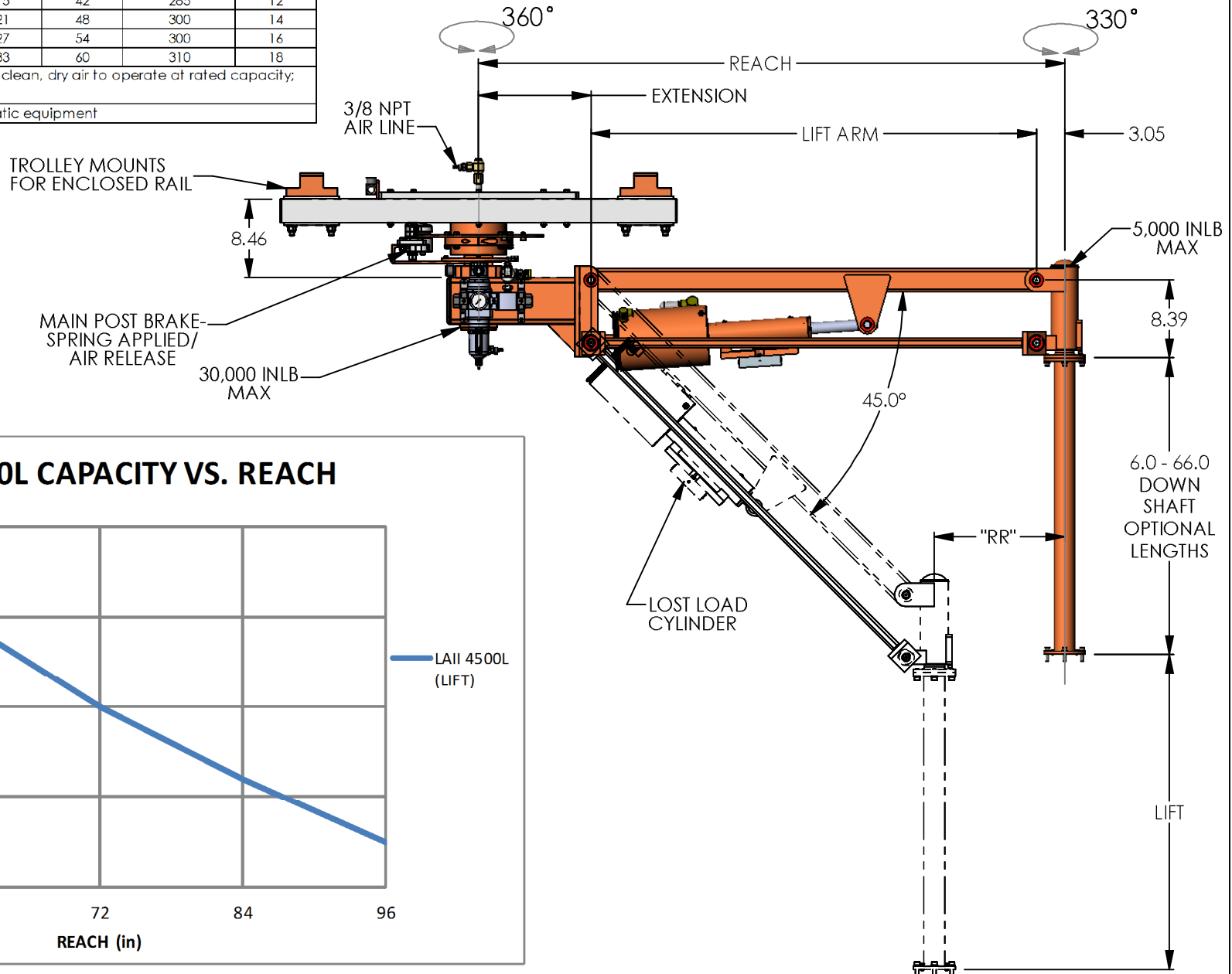
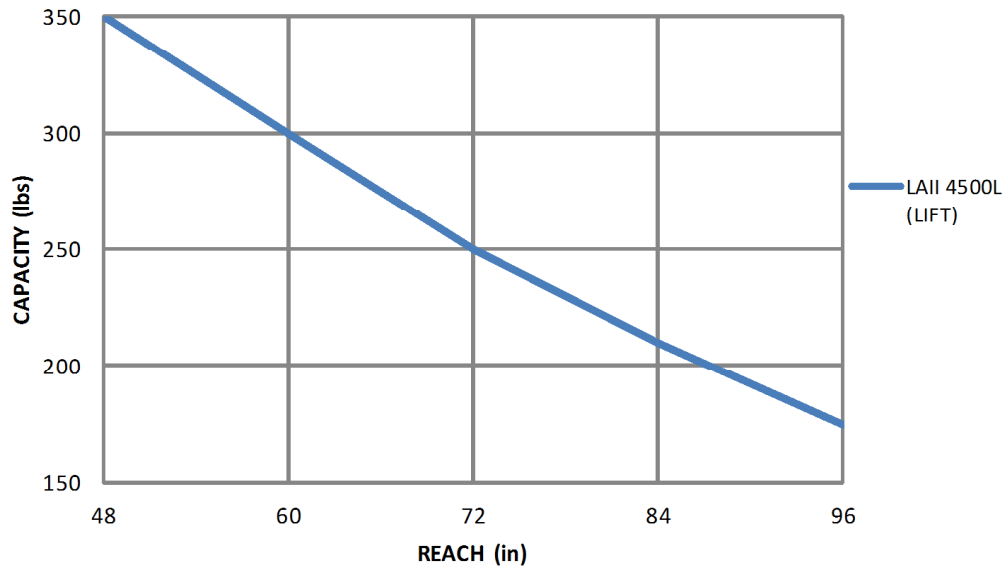


Model	Reach (in)	Lift (in)	Capacity* (lbs)	Extension Length (in)	Lift Arm Length (in)	Base Machine Weight (lbs)	Reach Reduction "RR" (in)
LAI4500L-4	48	25	350	9	36	275	11
LAI4500L-5	60	30	300	15	42	285	12
LAI4500L-6	72	34	250	21	48	300	14
LAI4500L-7	84	38	210	27	54	300	16
LAI4500L-8	96	42	175	33	60	310	18

\*Requires 90 psi (120 psi maximum) and 20 SCFM clean, dry air to operate at rated capacity;  
 includes payload and end-effector  
 Add SCFM consumed by any additional pneumatic equipment



**LAI 4500L CAPACITY VS. REACH**



POSITECH RESERVES THE RIGHT TO CHANGE SPECIFICATIONS, DESIGNS, PRICES, OR DISCONTINUE MODELS/OPTIONS, AT ANYTIME, WITHOUT NOTICE.



LODEARM® II - 4500L

SCALE: 1:24 DATE: 8/1/2013

DRAWN BY: kjb

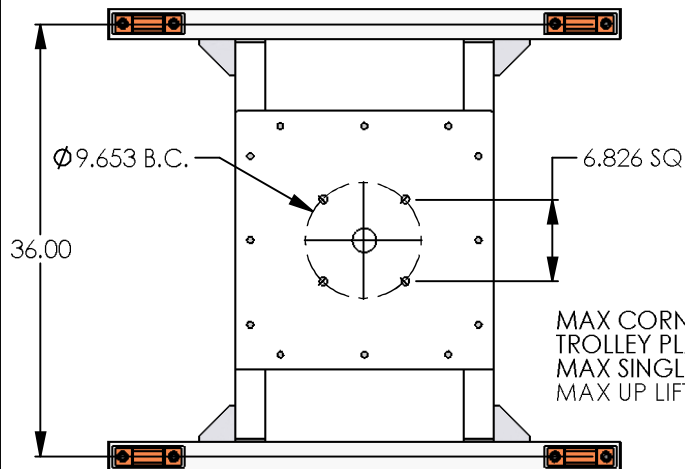
CLASS CODE: 985

DWG NO: LODEARM® II - 4500L

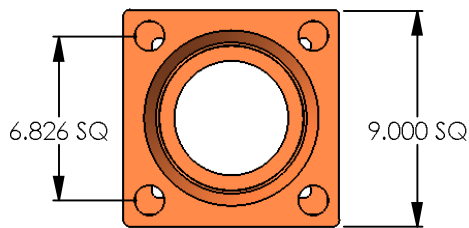
SHT: 1 of 2

REV:

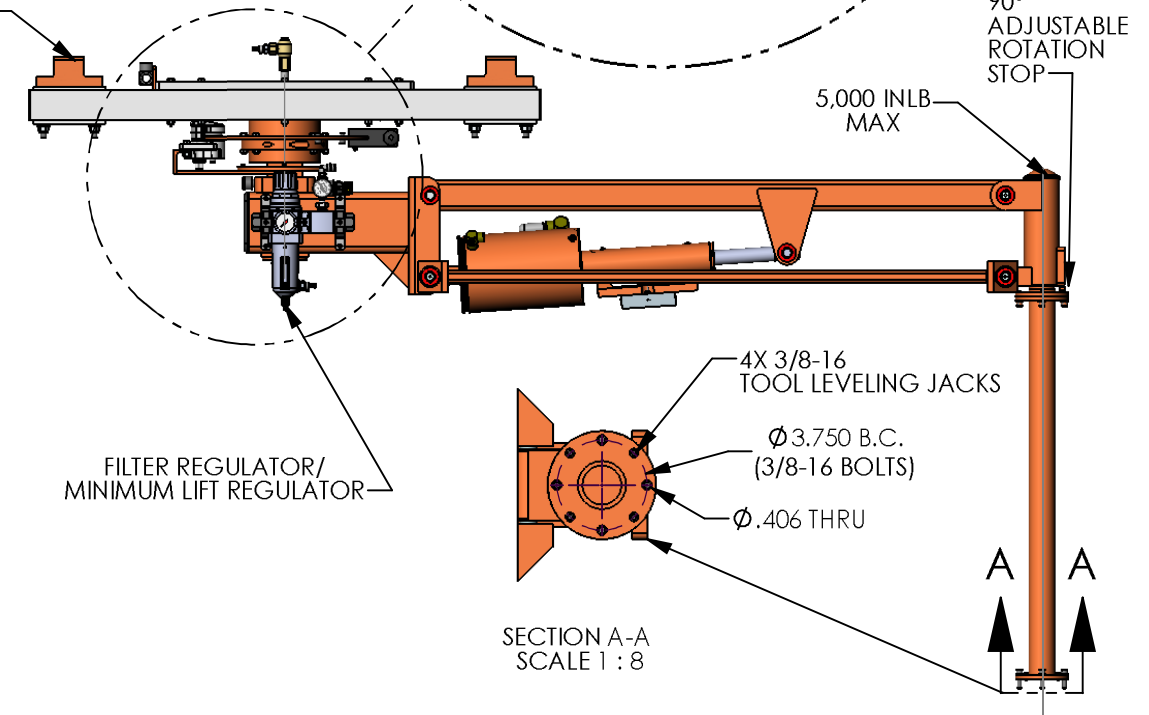
ALL DESIGNS, SKETCHES AND DRAWINGS ARE THE PROPERTY OF POSITECH CORPORATION LETTING, OR ALLOWING TO BE LET, THE KNOWLEDGE FOR DESIGN AND/OR FABRICATION FROM SAID DESIGNS, SKETCHES OR DRAWINGS WITHOUT THE WRITTEN CONSENT OF POSITECH CORPORATION IS EXPRESSLY FORBIDDEN.



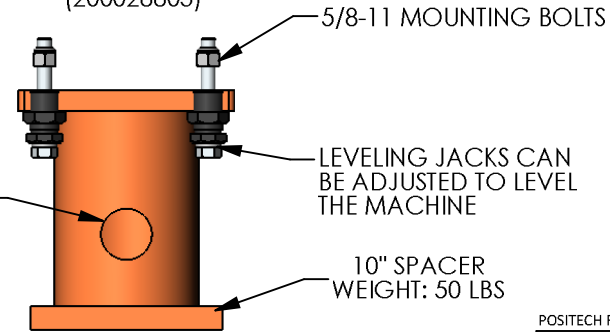
TROLLEY  
(201217109)  
WEIGHT: 100 LBS



MOUNTING OPTIONS AVAILABLE FOR MULTIPLE STYLES OF RAIL



SPACER LEVELING JACKS  
(200028803)



OVERHEAD SPACER  
(201010605)

POSITECH RESERVES THE RIGHT TO CHANGE SPECIFICATIONS, DESIGNS, PRICES, OR DISCONTINUE MODELS/OPTIONS, AT ANYTIME, WITHOUT NOTICE.



LODEARM® II - 4500L

SCALE: 1:24 DATE: 8/1/2013

DRAWN BY: kjb

CLASS CODE: 985

DWG NO: LODEARM® II - 4500L

SHT: 2 of 2

REV:

ALL DESIGNS, SKETCHES AND DRAWINGS ARE THE PROPERTY OF POSITECH CORPORATION LETTING, OR ALLOWING TO BE LET, THE KNOWLEDGE FOR DESIGN AND/OR FABRICATION FROM SAID DESIGNS, SKETCHES OR DRAWINGS WITHOUT THE WRITTEN CONSENT OF POSITECH CORPORATION IS EXPRESSLY FORBIDDEN.