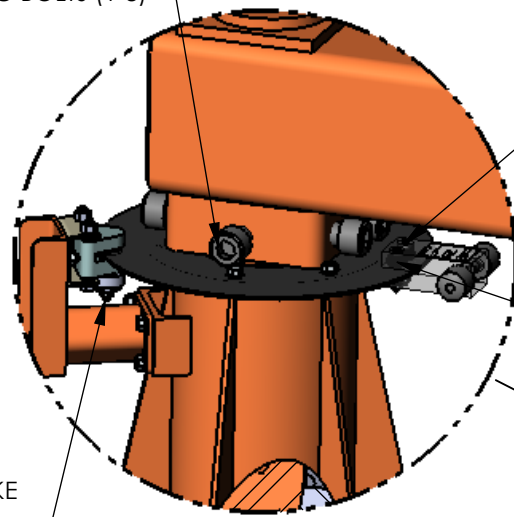


3/4" ALLEN HEX ON MIDDLE JOINT LEVELING BOLTS (1-8)



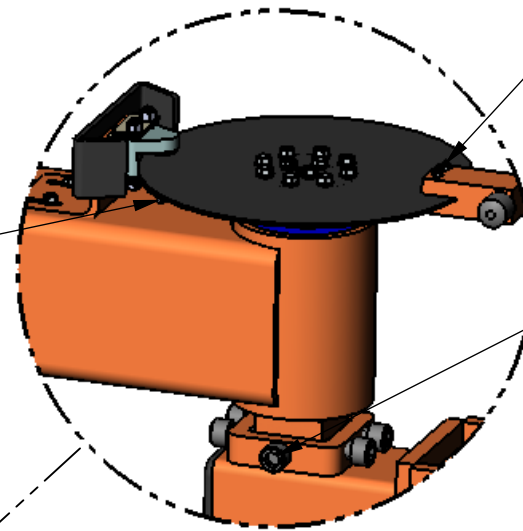
DETAIL C  
SCALE 1 : 8

3/16" ALLEN HEX ON ROTATION STOP SHOULDER BOLTS (#10-24)  
Ø.266 DRILL BIT FOR ROTATION STOP

3/8" ALLEN HEX ON ROTATION STOP CLAMP SET SCREW (3/4-10)

1/2" HEX ON FRICTION BRAKE ADJUSTMENT NUT (5/16-24)

1/2" HEX ON FRICTION BRAKE ADJUSTMENT NUT (5/16-24)

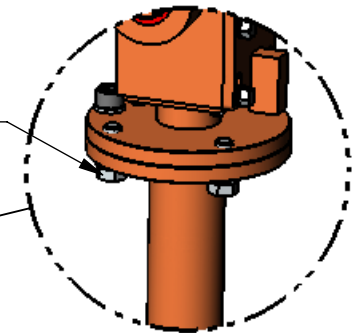


DETAIL D  
SCALE 1 : 8

3/8" HEX ON ROTATION STOP SHOULDER BOLT NUTS (#10-24)  
3/16" ALLEN HEX ON SHOULDER BOLT  
Ø.266 DRILL BIT FOR ROTATION STOP

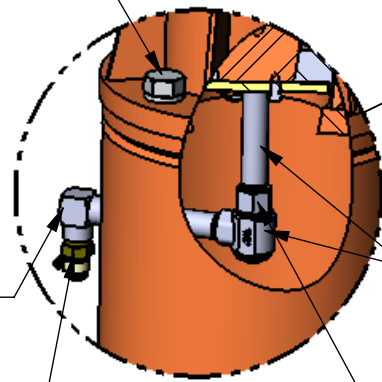
5/8" ALLEN HEX ON END JOINT LEVELING BOLTS (3/4-10)

1 1/8" HEX ON DOWN SHAFT MOUNT BOLTS (3/4-10)



DETAIL E  
SCALE 1 : 8

1 1/2" HEX ON MACHINE MOUNT BOLTS (1-8)



DETAIL B  
SCALE 1 : 8

1 1/4" FLAT ON AIR FITTING

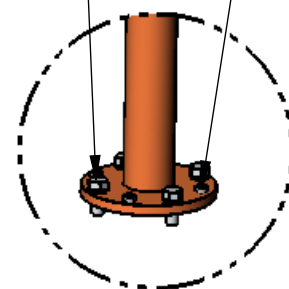
MUST BE INSTALLED BEFORE ATTACHING MAIN POST TO PEDESTAL

1 3/8" HEX ON 360° AIR FITTING

1 1/4" HEX ON HOSE BARB

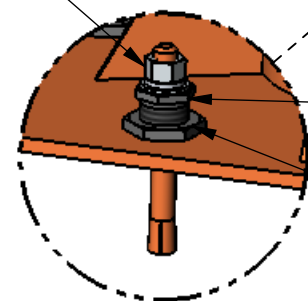
3/8" ALLEN HEX ON TOOLING LEVELING JACKS (3/4-10)

1 1/8" HEX ON TOOLING MOUNT BOLTS (3/4-10)



DETAIL F  
SCALE 1 : 12

1 1/2" HEX ON ANCHOR BOLT NUT (1-8 THREAD)



DETAIL A  
SCALE 1 : 8

2 1/4" HEX ON LEVELING JACK (2-12 THREAD)

3" HEX ON LEVELING JACK JAM NUT

The following is a non-comprehensive list of items suggested for installing the LodeArm3030S. It is the installer's responsibility to understand the installation process and tools required prior to performing the work.

WRENCHES AND SOCKETS:	TORQUE WRENCH	LAYOUT PRINT & TAPE MEASURE
3/8 HEX	C-CLAMPS	CHALK TO MARK PEDESTAL LOCATION
1/2 HEX	MACHINIST LEVEL & BUBBLE LEVEL	BANDING SHEAR FOR PALLET DISASSEMBLY
1 1/8 HEX	HAMMER DRILL	FISH TAPE FOR ROUTING HOSES
1 1/4 HEX / OPEN WRENCH	1" CONCRETE BIT	1-8 EYE BOLTS FOR LIFTING PEDESTAL
1 3/8 HEX	DRILL	ALIGNMENT BOLTS TO HELP ALIGN LA ONTO PEDESTAL
1 1/2 HEX (QTY 2) WRENCH	Ø.266 DRILL BIT FOR ROTATION STOP	PEDESTAL
2 1/4 HEX	VACUUM TO CLEAR ANCHOR BOLT HOLES	FORKLIFT OR CRANE TO LIFT LA INTO POSITION
3 HEX	EXTENSION CORDS	PERSONAL PROTECTIVE EQUIPMENT
3/16 ALLEN HEX	SLINGS	SAW FOR PALLET DISASSEMBLY
5/16 ALLEN HEX	LADDERS	PLUMBING TOOLS
3/8 ALLEN HEX	MAN LIFT	ELECTRICAL TOOLS
5/8 ALLEN HEX		
3/4 ALLEN HEX		

ALL DESIGNS, SKETCHES AND DRAWINGS ARE THE PROPERTY OF POSITECH CORPORATION LETTING, OR ALLOWING TO BE LET, THE KNOWLEDGE FOR DESIGN AND/OR FABRICATION FROM SAID DESIGNS, SKETCHES OR DRAWINGS WITHOUT THE WRITTEN CONSENT OF POSITECH CORPORATION IS EXPRESSLY FORBIDDEN.



LODEARM® 3030S

SCALE: 1:24	DATE: 7/7/2015	DRAWN BY: kjb
CLASS CODE: 920	DWG NO: LA3030S INSTALL	SHT: 1 of 1
		REV: