

The following is a non-comprehensive list of items suggested for installing the AJB150. It is the installer's responsibility to understand the installation process and tools required prior to performing the work.

| WRENCHES AND SOCKETS: | C-CLAMPS | LAYOUT PRINT & TAPE MEASURE |
|-----------------------|------------------------------------|--|
| 3/8" HEX | MACHINIST LEVEL & BUBBLE LEVEL | CHALK TO MARK PEDESTAL LOCATION |
| 7/16" HEX | HAMMER DRILL | BANDING SHEAR FOR PALLET DISASSEMBLY |
| 3/4" HEX (QTY 2) | 1" CONCRETE BIT | FISH TAPE FOR ROUTING HOSES |
| 1" HEX | DRILL | 3/4-10 EYE BOLTS FOR LIFTING PEDESTAL |
| 1 1/8" HEX | Ø .266 DRILL BIT FOR ROTATION STOP | ALIGNMENT BOLTS TO HELP ALIGN LA ONTO PEDESTAL |
| 1 1/4" HEX | VACUUM TO CLEAR ANCHOR BOLT HOLES | |
| 1 3/8" HEX | EXTENSION CORDS | FORKLIFT OR CRANE TO LIFT LA INTO POSITION |
| 1 1/2" HEX | SLINGS | |
| 2 1/4" HEX | LADDERS | PERSONAL PROTECTIVE EQUIPMENT |
| 3" HEX | MAN LIFT | SAW FOR PALLET DISASSEMBLY |
| 3/16" ALLEN HEX | PLUMBING TOOLS | |
| 3/8" ALLEN HEX | ELECTRICAL TOOLS | |
| 9/16" ALLEN HEX | | |
| 5/8" ALLEN HEX | | |
| TORQUE WRENCH | | |

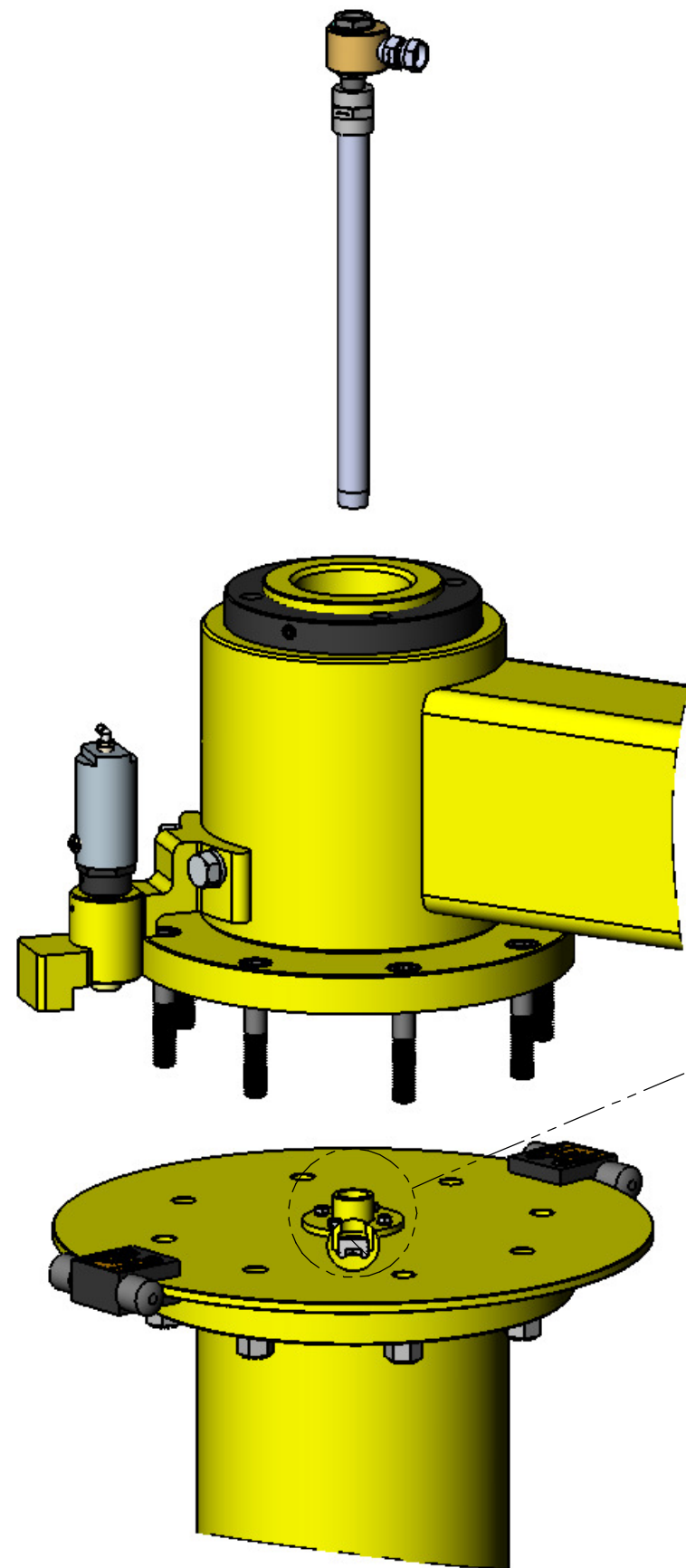
ALL DESIGNS, SKETCHES AND DRAWINGS ARE THE PROPERTY OF POSITECH CORPORATION LETTING, OR ALLOWING TO BE LET, THE KNOWLEDGE FOR DESIGN AND/OR FABRICATION FROM SAID DESIGNS, SKETCHES OR DRAWINGS WITHOUT THE WRITTEN CONSENT OF POSITECH CORPORATION IS EXPRESSLY FORBIDDEN.

Positech CORPORATION

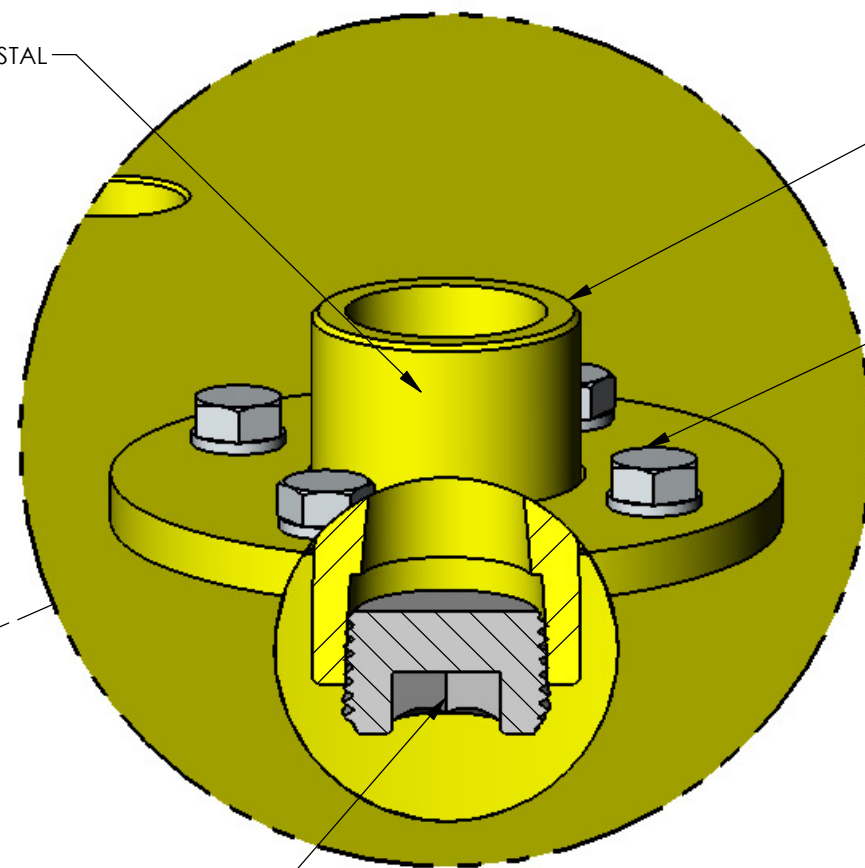
AJB150

SCALE: 1:24 DATE: 15/Oct/2014 DRAWN BY: KPS

CLASS CODE: 880 DWG NO: AJB150 INSTALL SH: 1 of 2 REV:



MUST BE INSTALLED
BEFORE ATTACHING
MAIN POST TO PEDESTAL



THIS SIDE UP

7/16" HEX ON MAIN POST AIR
MOUNT NUTS (1/4-20)

9/16" ALLEN HEX ON MAIN
POST AIR PLUG

DETAIL F
SCALE 1 : 1

ALL DESIGNS, SKETCHES AND DRAWINGS ARE THE PROPERTY OF POSITECH CORPORATION LETTING, OR ALLOWING TO BE LET, THE KNOWLEDGE FOR DESIGN AND/OR FABRICATION FROM SAID DESIGNS, SKETCHES OR DRAWINGS WITHOUT THE WRITTEN CONSENT OF POSITECH CORPORATION IS EXPRESSLY FORBIDDEN.



| | | | |
|-----------------|------------------------|---------------|------|
| AJB150 | | | |
| SCALE: 1:6 | DATE: 15/Oct/2014 | DRAWN BY: KPS | |
| CLASS CODE: 880 | DWG NO: AJB150 INSTALL | SHT: 2 of 2 | REV: |