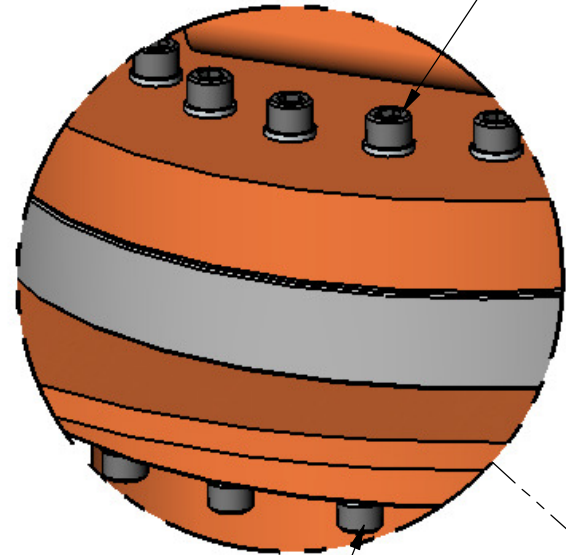
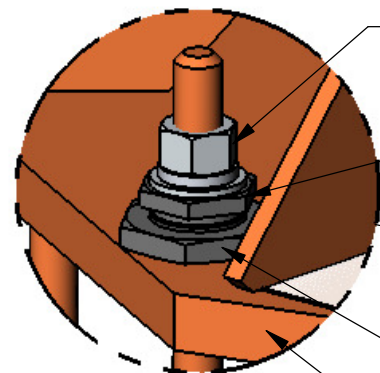


1/2" ALLEN HEX ON MAIN POST MOUNTING BOLTS
 -TORQUE 5/8-11 GRADE 8 MACHINE MOUNTING BOLTS USING SERVICE GRADE THREAD LOCKER TO 83 FT-LBS [112 N-M] (166 FT-LBS [225 N-M] WITHOUT THREAD LOCKER)



DETAIL B
SCALE 1 : 4

1/2" ALLEN HEX ON MAIN POST MOUNTING BOLTS
 -TORQUE 5/8-11 GRADE 8 MACHINE MOUNTING BOLTS USING SERVICE GRADE THREAD LOCKER TO 83 FT-LBS [112 N-M] (166 FT-LBS [225 N-M] WITHOUT THREAD LOCKER)



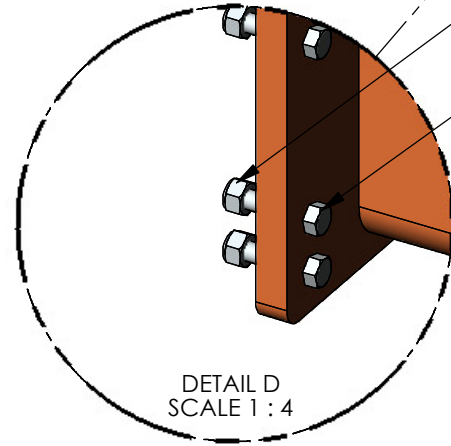
DETAIL A
SCALE 1 : 4

1 1/2" HEX ON ANCHOR BOLT NUT (5/8-11)

2 1/4" HEX ON LEVELING JACK (1 1/4-12)

3" HEX ON LEVELING JACK JAM NUT (1 1/4-12)

SEE PRINT 200504001 FOR DETAILS

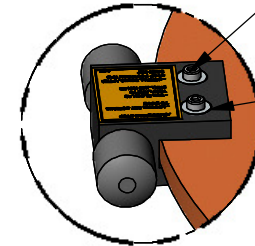


DETAIL D
SCALE 1 : 4

11/16" HEX ON END JOINT MOUNT NUTS (7/16-14)

11/16" HEX ON TOOL MOUNT BOLTS (7/16-14)
 -TORQUE 7/16-14 GRADE 5 TOOL MOUNTING BOLTS USING SERVICE GRADE THREAD LOCKER TO 27 FT-LBS [37 N-M] (55 FT-LBS [74 N-M] WITHOUT THREAD LOCKER)

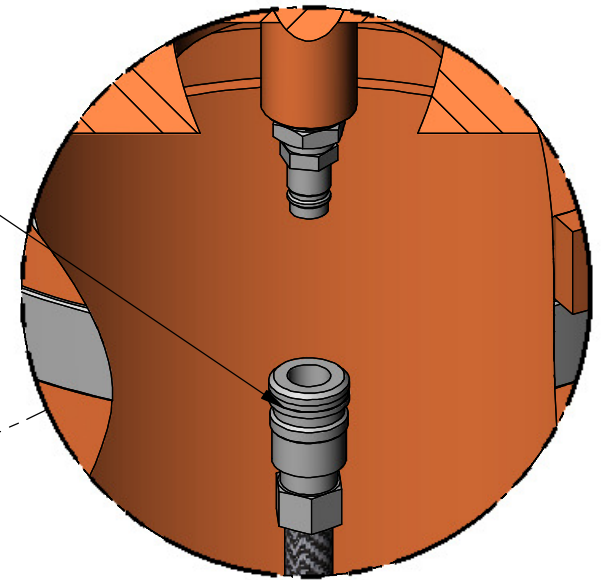
3/8" HEX ON ROTATION STOP SHOULDER BOLT NUTS (#10-24)
 3/16" ALLEN HEX ON SHOULDER BOLT
 Ø.266 DRILL BIT FOR ROTATION STOP



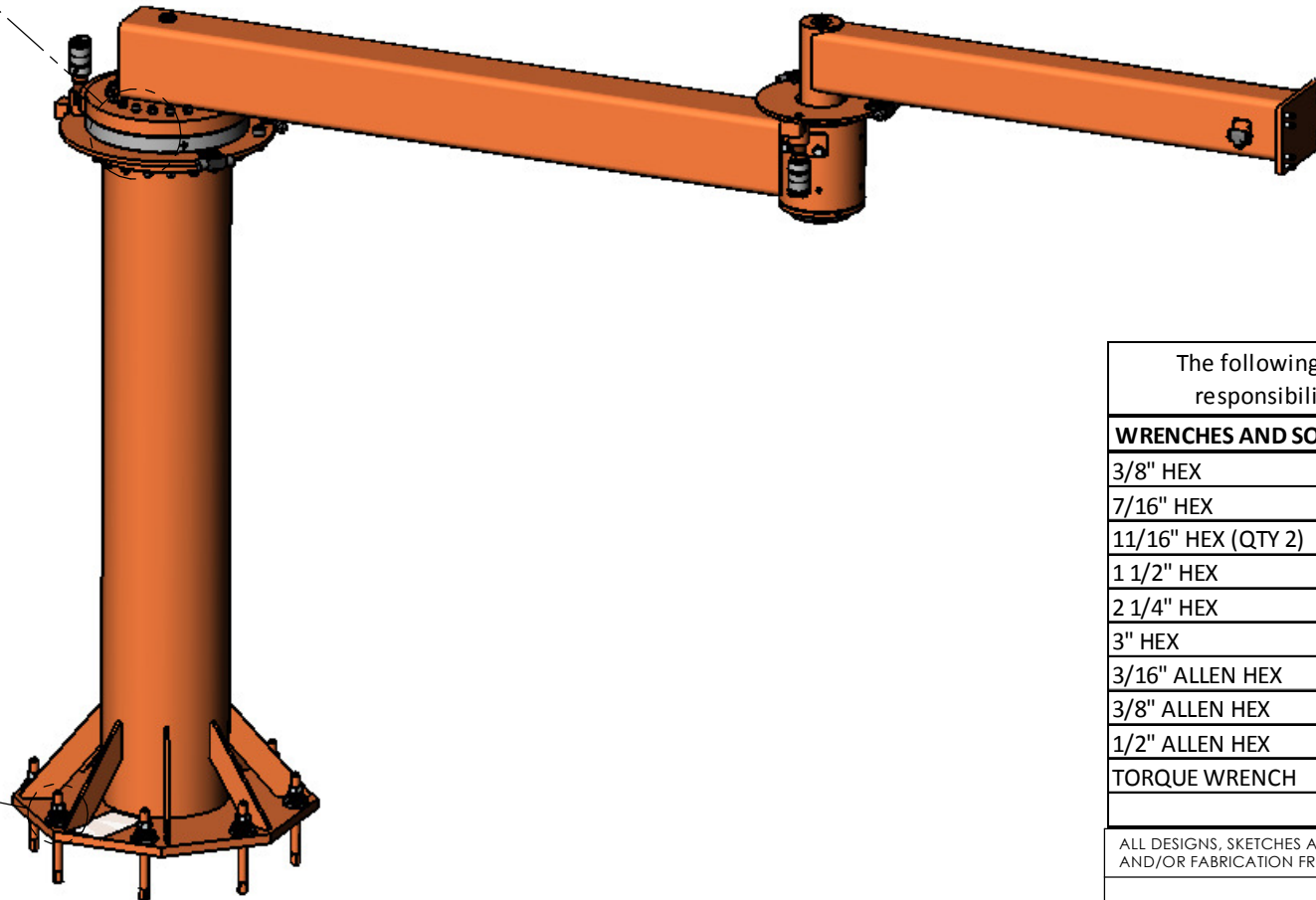
DETAIL E
SCALE 1 : 4

3/8" ALLEN HEX ON ROTATION STOP CLAMP SET SCREW (3/4-10)
 - USE TO ADJUST PRIOR TO DRILLING

QUICK COUPLER
NO TOOLS REQUIRED



DETAIL F
SCALE 1 : 4



The following is a non-comprehensive list of items suggested for installing the AJB300. It is the installer's responsibility to understand the installation process and tools required prior to performing the work.

WRENCHES AND SOCKETS:	C-CLAMPS	LAYOUT PRINT & TAPE MEASURE
3/8" HEX	MACHINIST LEVEL & BUBBLE LEVEL	CHALK TO MARK PEDESTAL LOCATION
7/16" HEX	HAMMER DRILL	BANDING SHEAR FOR PALLET DISASSEMBLY
11/16" HEX (QTY 2)	1" CONCRETE BIT	FISH TAPE FOR ROUTING HOSES
1 1/2" HEX	DRILL	3/4-10 EYE BOLTS FOR LIFTING PEDESTAL
2 1/4" HEX	Ø.266 DRILL BIT FOR ROTATION STOP	ALIGNMENT BOLTS TO HELP ALIGN LA ONTO PEDESTAL
3" HEX	VACUUM TO CLEAR ANCHOR BOLT HOLES	PEDESTAL
3/16" ALLEN HEX	EXTENSION CORDS	FORKLIFT OR CRANE TO LIFT LA INTO POSITION
3/8" ALLEN HEX	SLINGS	PERSONAL PROTECTIVE EQUIPMENT
1/2" ALLEN HEX	LADDERS	SAW FOR PALLET DISASSEMBLY
TORQUE WRENCH	MAN LIFT	ELECTRICAL TOOLS
	PLUMBING TOOLS	

ALL DESIGNS, SKETCHES AND DRAWINGS ARE THE PROPERTY OF POSITECH CORPORATION LETTING, OR ALLOWING TO BE LET, THE KNOWLEDGE FOR DESIGN AND/OR FABRICATION FROM SAID DESIGNS, SKETCHES OR DRAWINGS WITHOUT THE WRITTEN CONSENT OF POSITECH CORPORATION IS EXPRESSLY FORBIDDEN.



AJB 300			
SCALE: 1:24	DATE: Aug-07-2015	DRAWN BY: KPS	
CLASS CODE: 880	DWG NO: AJB300 INSTALL	SHT: 1 of 1	REV: