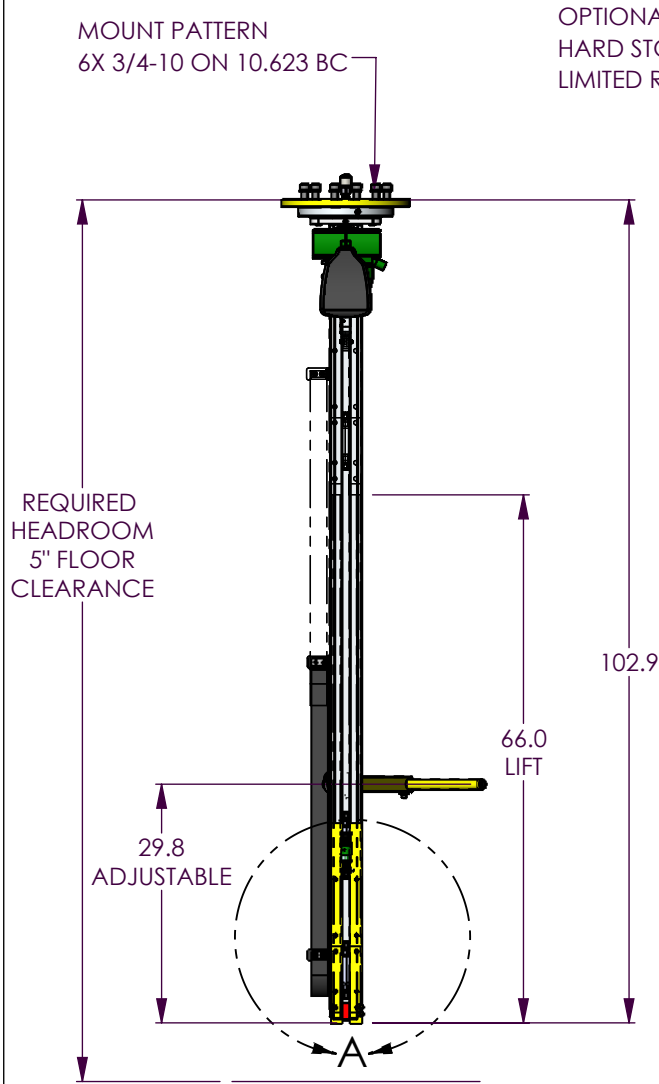


Positech Advantages

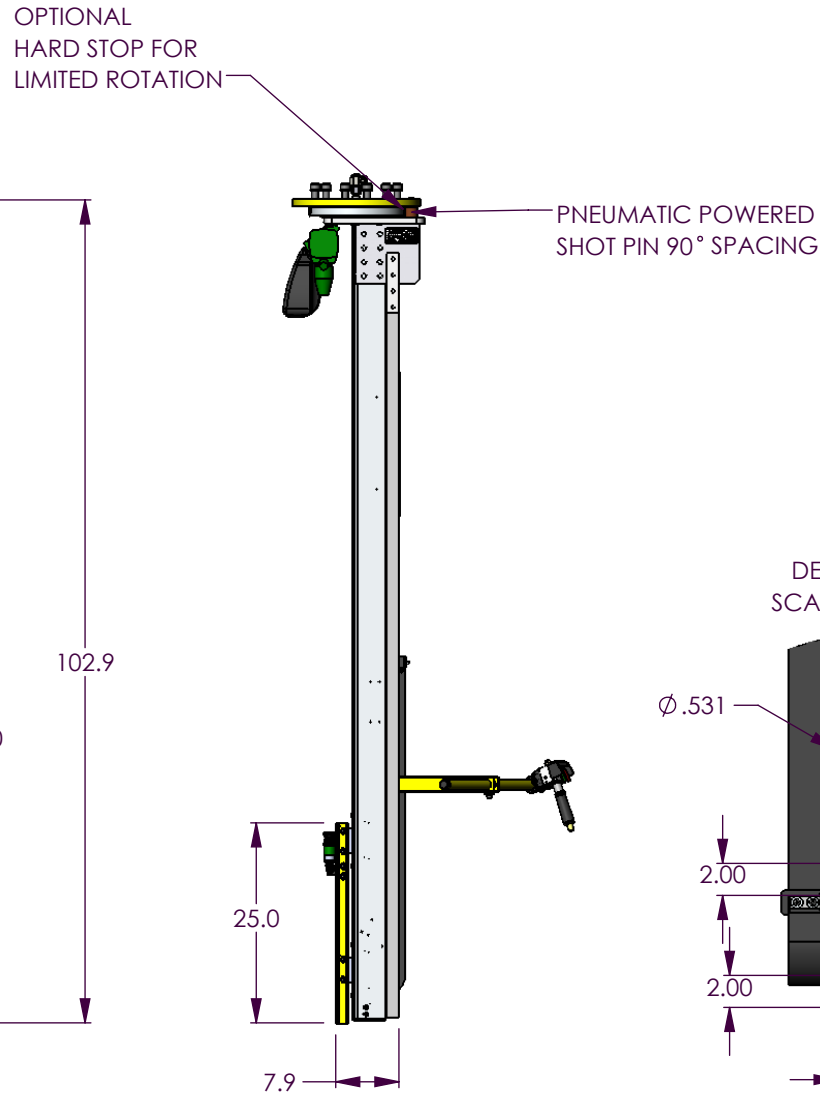
- 5:1 design factor minimum on all structural components
- Narrow design of the lift assembly minimizes obstructions in the operator's line of sight
- Great for low headroom applications which require maximum vertical lift
- Lightweight and compact, easy to maneuver
- Multiple options available including: main post brakes, bridge brakes, and trolley platform brakes

For Performance and Quality

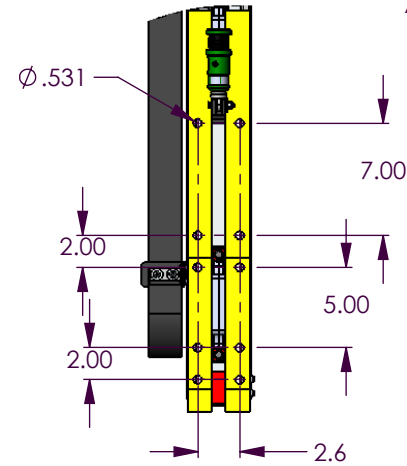
- Low Maintenance
- Does not require an air lubricator
- Allows for reach-in and off-center applications
- 360 degree continuous rotation around vertical axis
- Pneumatically operated, requires clean dry input pressure
- Mounting Options: overhead platform trolley or on a Positech Articulated Jib Boom



FLOOR



DETAIL A
SCALE 1 : 12



VERTICAL RAIL LIFTER										
MODEL	SCFM Required *	Required Pressure (psi)	Maximum Pressure (psi)	Vertical Travel (inches)	Required Headroom (inches)	Capacity (lbs)	Base Machine Weight (lbs)	Base Machine Moment (inch-lbs)	Maximum Moment at Main Post (inch-lbs)	
VRL S	17	90	120	66	111	500	375	10,000	10,000	

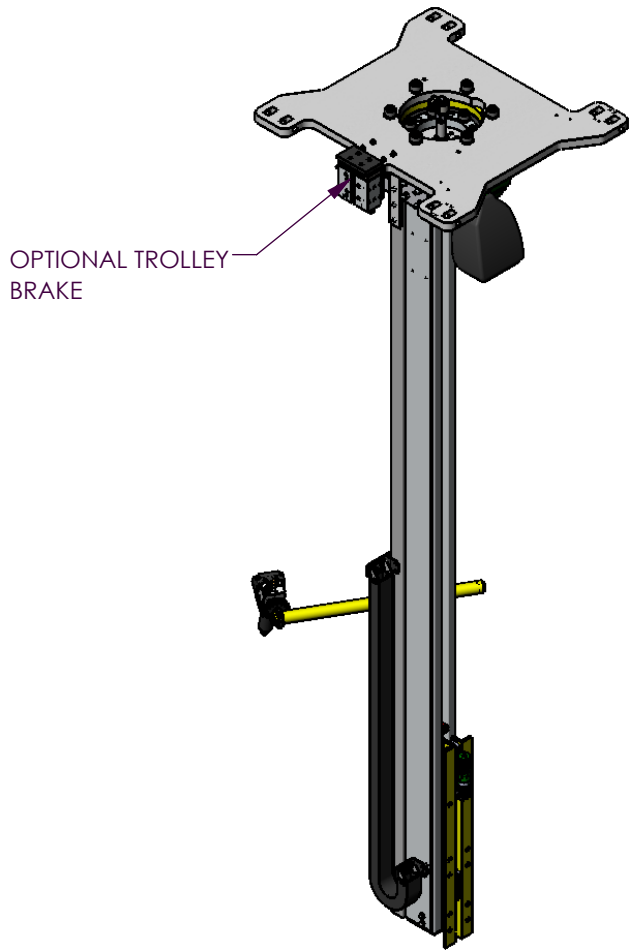
*Add SCFM consumed by any additional pneumatic equipment

UNLESS OTHERWISE SPECIFIED .X ± .1 .XX ± .03 .XXX ± .005 1/X ± 1/32 ANGLE ± .5° WELD ± 1/8 -0	ALL DESIGNS, SKETCHES AND DRAWINGS ARE THE PROPERTY OF POSITECH CORPORATION LETTING, OR ALLOWING TO BE LET, THE KNOWLEDGE FOR DESIGN AND/OR FABRICATION FROM SAID DESIGNS, SKETCHES OR DRAWINGS WITHOUT THE WRITTEN CONSENT OF POSITECH CORPORATION IS EXPRESSLY FORBIDDEN.		
	BREAK ALL SHARP EDGES		
	WGT: 252.799 LBS	MATL:	PARTS TO BE MFG TO ES100
	SIM TO: 201402233	MQTY:	
MATL DESC:			



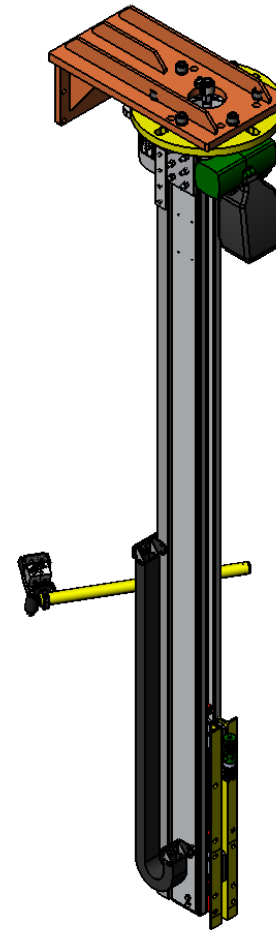
PROFILE VIEW - VRLS

SCALE: 1:24	DATE: 01/Sep/2015	DRAWN BY: KPS	
DWG NO: VRLS	SHT: 1 of 2	REV:	



OPTIONAL TROLLEY
BRAKE

V-RAIL TROLLEY



V-RAIL AJB MOUNT

UNLESS OTHERWISE SPECIFIED .X ± .1 .XX ± .03 .XXX ± .005 1/X ± 1/32 ANGLE ± .5° WELD + 1/8 - 0	ALL DESIGNS, SKETCHES AND DRAWINGS ARE THE PROPERTY OF POSITECH CORPORATION LETTING, OR ALLOWING TO BE LET, THE KNOWLEDGE FOR DESIGN AND/OR FABRICATION FROM SAID DESIGNS, SKETCHES OR DRAWINGS WITHOUT THE WRITTEN CONSENT OF POSITECH CORPORATION IS EXPRESSLY FORBIDDEN.		
	BREAK ALL SHARP EDGES		
	WGT: 252.799 LBS	MATL:	PARTS TO BE MFG TO ES100
	SIM TO: 201402233	MQTY:	
	MATL DESC:		



PROFILE VIEW - VRLS

SCALE: 1:24 DATE: 01/Sep/2015

DRAWN BY: KPS

DWG: VRLS
NO:

SHT: 2 of 2

REV: