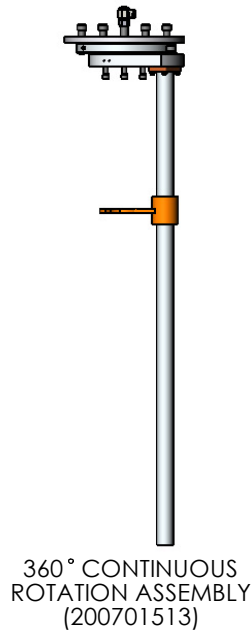
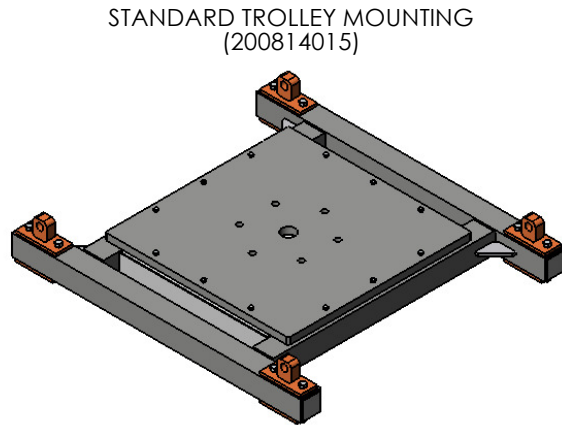
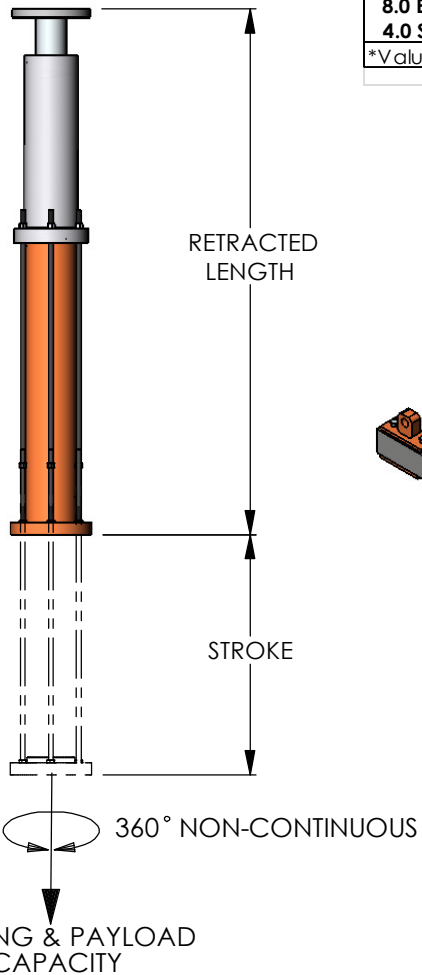


Bore and Shaft Size	Tooling & Payload Capacity (lbs)	Maximum Moment Loading Capacity (inch-lbs)	Retracted length (inches)	Required SCFM for 2 inches/second travel	Minimum Weight for reliable GSC function (lbs)	Expected stick-slip drop (inches)	Base unit weight (lbs) - solid shaft	Add x.xx (lbs) per inch of stroke - solid shaft	Base unit weight (lbs) - hollow shaft	Add x.xx (lbs) per inch of stroke - hollow shaft
4.0 Bore, 2.5 Shaft	500	8,000	23.813 + stroke	6.22	35	1.0 - 2.0	79.3	2.01	65.5	1.33
5.0 Bore, 2.5 Shaft	900	8,000	22.600 + stroke	9.71	50	1.5 - 2.5	110.1	2.26	71.8	1.58
5.0 Bore, 3.0 Shaft	800	12,000	23.938 + stroke	9.71	50	1.5 - 2.5	113.4	2.87	95.4	1.98
6.0 Bore, 3.0 Shaft	1,400	12,000	24.400 + stroke	14.00	75	2.0 - 3.0*	n/a	n/a	116.2	2.32
8.0 Bore, 4.0 Shaft	2,500	24,000	33.000 + stroke	24.90	100*	2.0 - 3.0*	n/a	n/a	301	4.36

*Values are estimated, specifications are subject to change without notice.



NOTES:

CAPACITY AND REQUIRED SCFM WERE CALCULATED USING AN INPUT PRESSURE OF 90 PSI AND A CYLINDER EFFICIENCY OF 75%.

JIB-BOOM MOUNTING OPTIONAL.

FILTER AND REGULATOR MOUNTED TO JIB-BOOM, TROLLEY, OR DIRECTLY TO MANIPULATOR.

MANIPULATOR IS EQUIPPED WITH LOSS OF AIR PRESSURE SAFETY LOCK VALVE.

NON-CONTINUOUS ROTATION MUST BE LIMITED BY THE OPERATOR

POSITECH RESERVES THE RIGHT TO CHANGE SPECIFICATIONS, DESIGNS, PRICES, OR DISCONTINUE MODELS/OPTIONS, AT ANYTIME, WITHOUT NOTICE.

ALL DESIGNS, SKETCHES AND DRAWINGS ARE THE PROPERTY OF POSITECH CORPORATION LETTING, OR ALLOWING TO BE LET, THE KNOWLEDGE FOR DESIGN AND/OR FABRICATION FROM SAID DESIGNS, SKETCHES OR DRAWINGS WITHOUT THE WRITTEN CONSENT OF POSITECH CORPORATION IS EXPRESSLY FORBIDDEN.



PNEUMATIC V-LIFT

SCALE: 1:16	DATE: 02/Feb/2011	DRAWN BY: SJF	
CLASS CODE: 877	DWG NO: V-LIFT	SHT: 1 of 1	REV: