

- NOTE:
1. ALL DESIGNS, SKETCHES AND DRAWINGS ARE THE PROPERTY OF POSITECH CORPORATION LETTING, OR ALLOWING TO BE LET, THE KNOWLEDGE FOR DESIGN AND/OR FABRICATION FROM SAID DESIGNS, SKETCHES OR DRAWINGS WITHOUT THE WRITTEN CONSENT OF POSITECH CORPORATION IS EXPRESSLY FORBIDDEN.
 2. ALL DIMENSIONS ARE NOMINAL AND MAY VARY
 3. POSITECH RESERVES THE RIGHT TO CHANGE SPECIFICATIONS, DESIGNS, PRICES, OR DISCONTINUE MODELS/OPTIONS, AT ANYTIME, WITHOUT NOTICE.



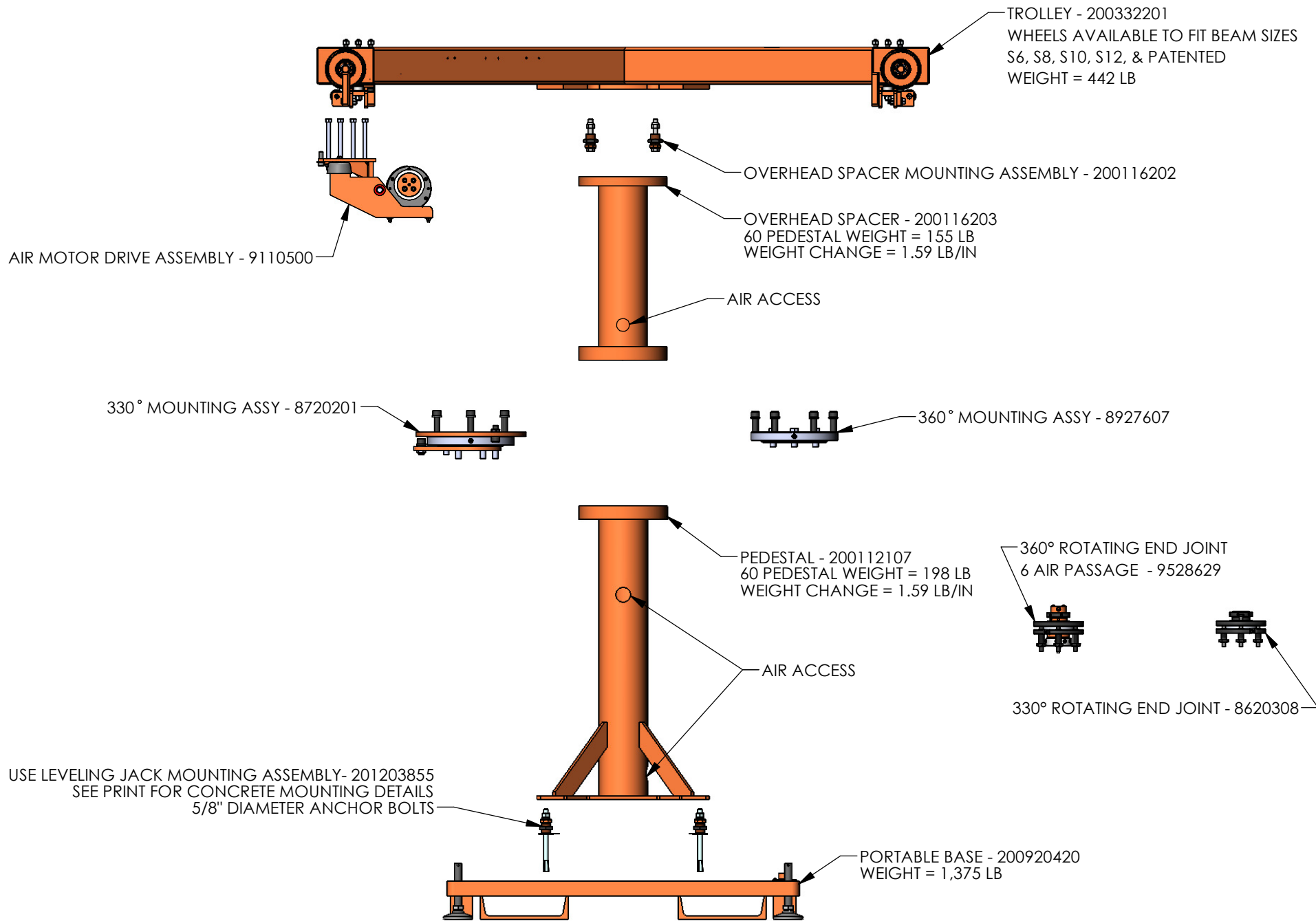
SAM G SERIES

SCALE: 1:27 | DATE: 22-Aug-2019

DRAWN BY: WAK

DWG NO: SAM G SERIES

SHT: 1 of 3 | REV:



NOTE:
1. ALL DESIGNS, SKETCHES AND DRAWINGS ARE THE PROPERTY OF POSITECH CORPORATION LETTING, OR ALLOWING TO BE LET, THE KNOWLEDGE FOR DESIGN AND/OR FABRICATION FROM SAID DESIGNS, SKETCHES OR DRAWINGS WITHOUT THE WRITTEN CONSENT OF POSITECH CORPORATION IS EXPRESSLY FORBIDDEN.
2. ALL DIMENSIONS ARE NOMINAL AND MAY VARY
3. POSITECH RESERVES THE RIGHT TO CHANGE SPECIFICATIONS, DESIGNS, PRICES, OR DISCONTINUE MODELS/OPTIONS, AT ANYTIME, WITHOUT NOTICE.



SAM G SERIES

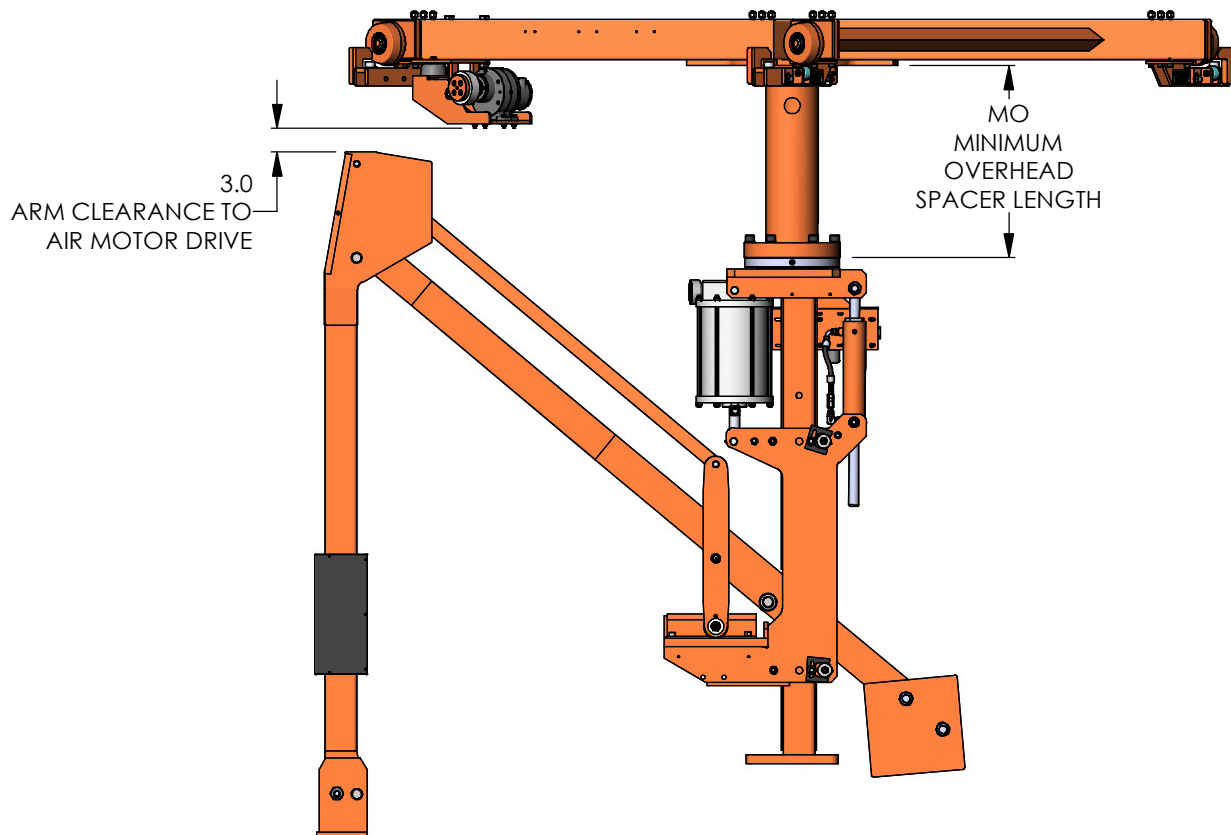
SCALE: 1:18 | DATE: 22-Aug-2019

DRAWN BY: WAK

DWG NO: SAM G SERIES

SHT: 2 of 3 | REV:

Model	Required SCFM @ 80 psi* end of arm travel 18"/sec.	Reach (inches) - R	Horizontal Travel (inches) - H	Vertical Travel (inches) - V	Required Headroom w/ CL=0 (inches) - HR	Minimum Pedestal Length w/ CL=0 (inches) - P	Minimum Clearance Under Counterweight w/ CL=0 (inches) - C	Counterweight Swing Radius (inches) - CR	Worst Case Swing Clearance (inches) - S	Minimum Overhead Spacer Length (inches) - MO	Capacity (lbs)	Base Machine Weight (lbs)	Maximum End of Arm Moment (360° Rotation) (inch-lbs)	Base Machine Moment (inch-lbs)	Maximum Moment at Main Post (inch-lbs)
G66	43	66.0	52.1	44.7	106.3	40.7	39.0	32.1	60.4	11.0	390	765	5,000	4,000	34,740
G78	36	78.0	62.1	53.2	123.5	52.3	50.6	32.1	69.0	16.0	330	820	5,000	5,000	35,740
G96	29	96.0	77.0	66.0	149.3	69.9	68.2	32.1	82.0	24.0	250	905	5,000	6,000	35,000
G112	25	112.0	90.3	77.3	172.1	85.4	79.9	38.1	93.5	32.0	200	920	5,000	7,000	34,400
G126	22	126.0	101.9	87.3	192.2	98.9	97.2	44.1	103.6	38.0	150	940	5,000	8,000	31,900



1. THE CUSTOMER IS TO SUPPLY CLEAN COMPRESSED AIR THAT IS DRY ENOUGH TO AVOID ICE FORMATION AT TEMPERATURES BELOW 35°F (2°C), OIL FREE AND IS FILTERED TO 40 µm
SUPPLY AIR AT 120 PSI MAXIMUM
2. ADD SCFM FOR ADDITIONAL PNEUMATIC EQUIPMENT
3. FLUIDS USED:
SUP5 - AW ISO-46 HYDRAULIC FLUID
P021612 - NLGI GRADE 2 EP LITHIUM GREASE
P006137 - MARVEL AIR TOOL OIL

NOTE:
1. ALL DESIGNS, SKETCHES AND DRAWINGS ARE THE PROPERTY OF POSITECH CORPORATION LETTING, OR ALLOWING TO BE LET, THE KNOWLEDGE FOR DESIGN AND/OR FABRICATION FROM SAID DESIGNS, SKETCHES OR DRAWINGS WITHOUT THE WRITTEN CONSENT OF POSITECH CORPORATION IS EXPRESSLY FORBIDDEN.
2. ALL DIMENSIONS ARE NOMINAL AND MAY VARY
3. POSITECH RESERVES THE RIGHT TO CHANGE SPECIFICATIONS, DESIGNS, PRICES, OR DISCONTINUE MODELS/OPTIONS, AT ANYTIME, WITHOUT NOTICE.



SAM G SERIES

SCALE: 1:24 DATE: 22-Aug-2019

DRAWN BY: WAK

DWG NO: SAM G SERIES

SHT: 3 of 3 REV: