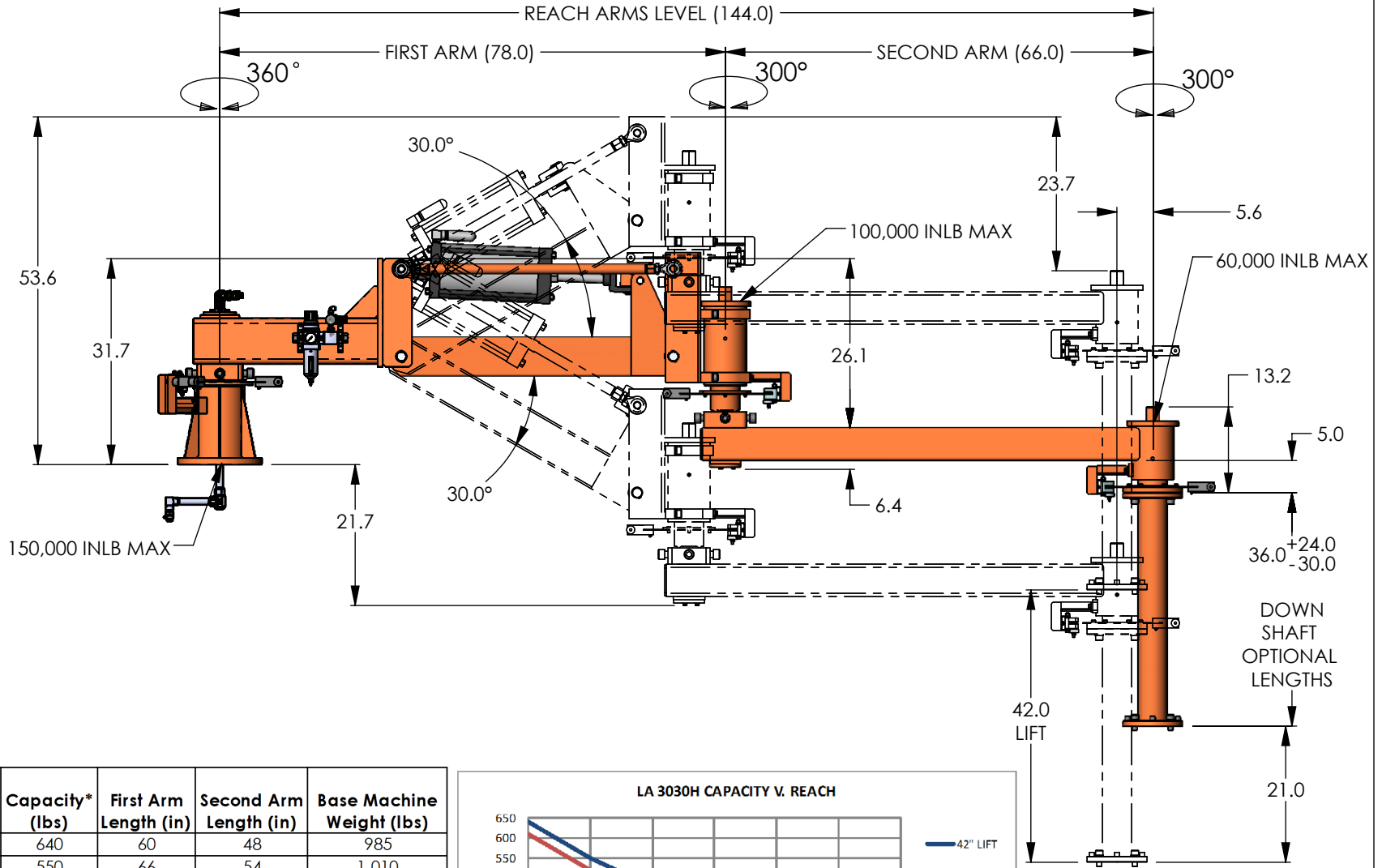


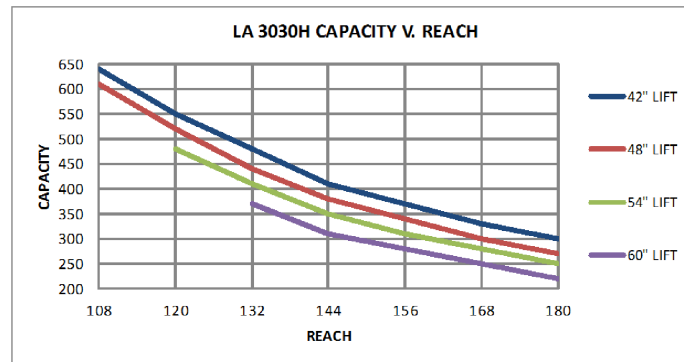
RECOMMENDED WORKING REACH IS
85% OF MAXIMUM REACH



Model	Reach (in)	Lift (in)	Capacity* (lbs)	First Arm Length (in)	Second Arm Length (in)	Base Machine Weight (lbs)
LA3030H-9	108	42	640	60	48	985
LA3030H-10	120	42	550	66	54	1,010
LA3030H-11	132	42	480	72	60	1,035
LA3030H-12	144	42	410	78	66	1,060
LA3030H-13	156	42	370	84	72	1,085
LA3030H-14	168	42	330	90	78	1,110
LA3030H-15	180	42	300	96	84	1,130

*Requires 90 psi (120 psi maximum) and 40 SCFM clean, dry air to operate at rated capacity, includes payload and end-effector

Add SCFM consumed by any additional pneumatic equipment



POSITECH RESERVES THE RIGHT TO CHANGE SPECIFICATIONS, DESIGNS, PRICES, OR DISCONTINUED MODELS/OPTIONS, AT ANYTIME, WITHOUT NOTICE.



LODEARM® 3030H

SCALE: 1:24

DATE: 7/22/2015

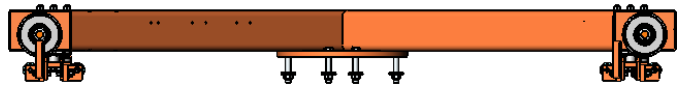
DRAWN BY: kjb

CLASS CODE: 985

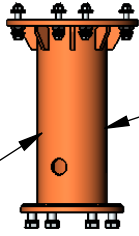
DWG NO: LODEARM® 3030H

SHT: 1 of 3

REV:

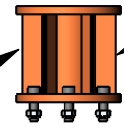


TROLLEY
(2008053210)
WEIGHT: 420 LBS



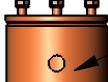
OVERHEAD SPACER
(201217125)

24" SPACER
WEIGHT: 160 LBS



PEDESTAL SPACER
(200334454)

12" SPACER
WEIGHT: 90 LBS



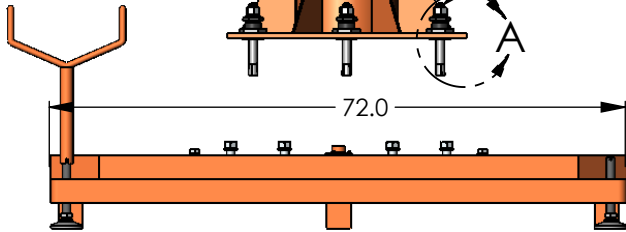
AIR ACCESS
3/4 NPT AIR LINE
CONNECTION

90" PEDESTAL
WEIGHT: 580 LBS

Positech

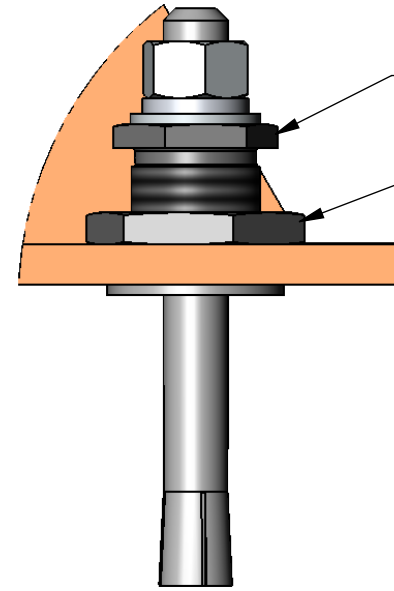
PEDESTAL
(200932860)

PEDESTAL LEVELING JACKS
1" ANCHOR BOLTS
(200932857)



PORTABLE BASE
(201307155)
WEIGHT: 8850 LBS

ALL DESIGNS, SKETCHES AND DRAWINGS ARE THE PROPERTY OF POSITECH CORPORATION LETTING, OR ALLOWING TO BE LET, THE KNOWLEDGE FOR DESIGN AND/OR FABRICATION FROM SAID DESIGNS, SKETCHES OR DRAWINGS WITHOUT THE WRITTEN CONSENT OF POSITECH CORPORATION IS EXPRESSLY FORBIDDEN.



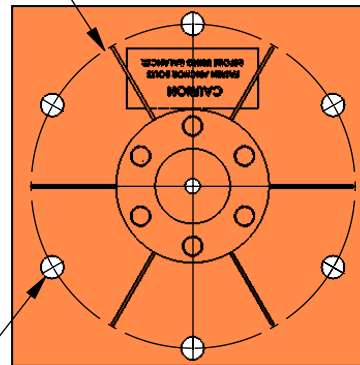
ADJUSTABLE LEVELING JACK
CAN BE ADJUSTED UP OR DOWN TO
CHANGE THE LEVEL OF THE PEDESTAL

LOCK NUT

DETAIL A
SCALE 1 : 3

PEDESTAL MOUNTING PATTERN

Ø 27.0 BC



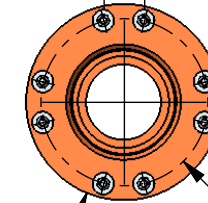
SCALE
1:16

Ø 1.9 THRU

□ 30.0

OVERHEAD SPACER MOUNTING PATTERN

3.38



SCALE
1:16

Ø 16.3

DOWNSHAFT MOUNTING PATTERN

Ø 7.8 B.C.

Ø 9.3

SCALE
1:16

Ø 13.92 BC

POSITECH RESERVES THE RIGHT TO CHANGE SPECIFICATIONS, DESIGNS, PRICES, OR DISCONTINUED MODELS/OPTIONS, AT ANYTIME, WITHOUT NOTICE.

Positech
CORPORATION

LODEARM® 3030H

SCALE: 1:24

DATE: 7/22/2015

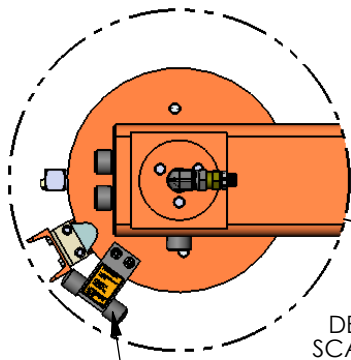
DRAWN BY: kjb

CLASS CODE: 985

DWG NO: LODEARM® 3030H

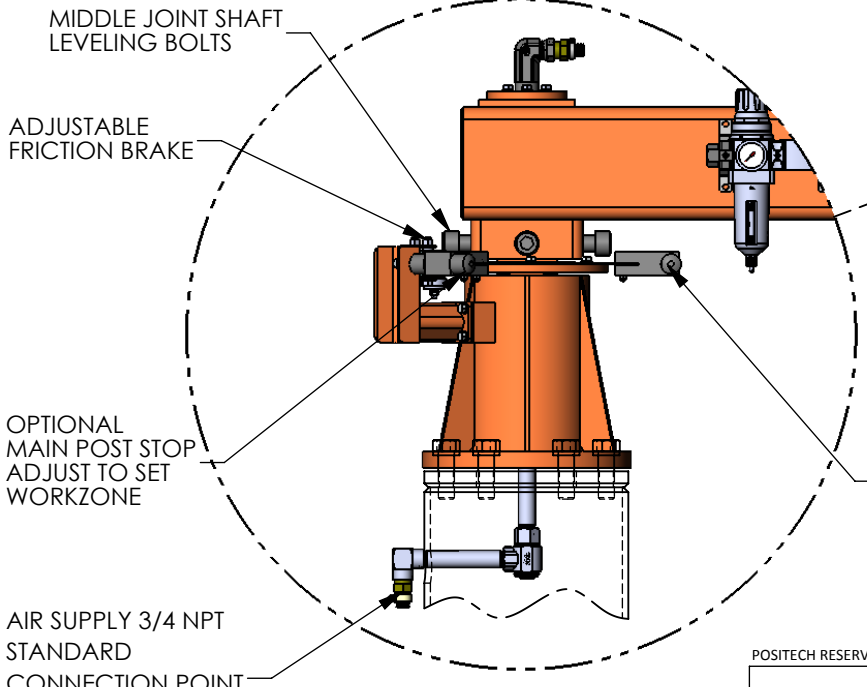
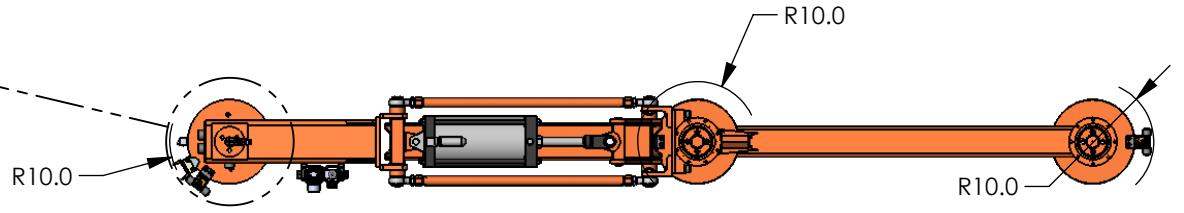
SHT: 2 of 3

REV:

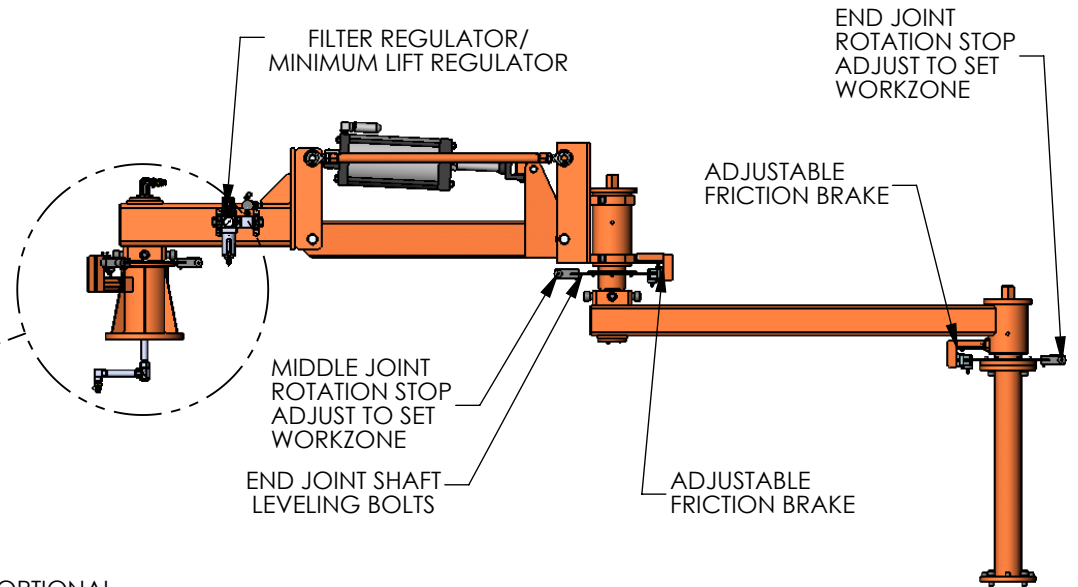


DETAIL C
SCALE 1 : 12

- ROTATION STOP INSTALLATION NOTES:
1. ROTATE ARM TO STOP POSITION
 2. SLIDE ROTATION STOP ONTO BRAKE DISK WITH BUMPER LOCATED AGAINST CALIPER BRAKE SUPPORT
 3. TIGHTEN SET SCREWS TO SET STOP LOCATION
 4. USE 3/8 TRANSFER PUNCH TO LOCATE DRILL HOLES THROUGH CENTER OF SET SCREW
 5. DRILL $\phi .266$ HOLES THRU BRAKE DISK
 6. TIGHTEN BOLTS, WASHERS, AND LOCK NUTS



DETAIL B
SCALE 1 : 12



MIDDLE JOINT SHAFT LEVELING BOLTS

ADJUSTABLE FRICTION BRAKE

OPTIONAL MAIN POST STOP ADJUST TO SET WORKZONE

AIR SUPPLY 3/4 NPT STANDARD CONNECTION POINT

OPTIONAL MAIN POST STOP ADJUST TO SET WORKZONE

FILTER REGULATOR / MINIMUM LIFT REGULATOR

END JOINT ROTATION STOP ADJUST TO SET WORKZONE

ADJUSTABLE FRICTION BRAKE

MIDDLE JOINT ROTATION STOP ADJUST TO SET WORKZONE

END JOINT SHAFT LEVELING BOLTS

ADJUSTABLE FRICTION BRAKE

POSITECH RESERVES THE RIGHT TO CHANGE SPECIFICATIONS, DESIGNS, PRICES, OR DISCONTINUED MODELS/OPTIONS, AT ANYTIME, WITHOUT NOTICE.



LODEARM@ 3030H

SCALE: 1:32	DATE: 7/22/2015	DRAWN BY: kjb	
CLASS CODE: 985	DWG NO: LODEARM@ 3030H	SHT: 3 of 3	REV:

ALL DESIGNS, SKETCHES AND DRAWINGS ARE THE PROPERTY OF POSITECH CORPORATION LETTING, OR ALLOWING TO BE LET, THE KNOWLEDGE FOR DESIGN AND/OR FABRICATION FROM SAID DESIGNS, SKETCHES OR DRAWINGS WITHOUT THE WRITTEN CONSENT OF POSITECH CORPORATION IS EXPRESSLY FORBIDDEN.