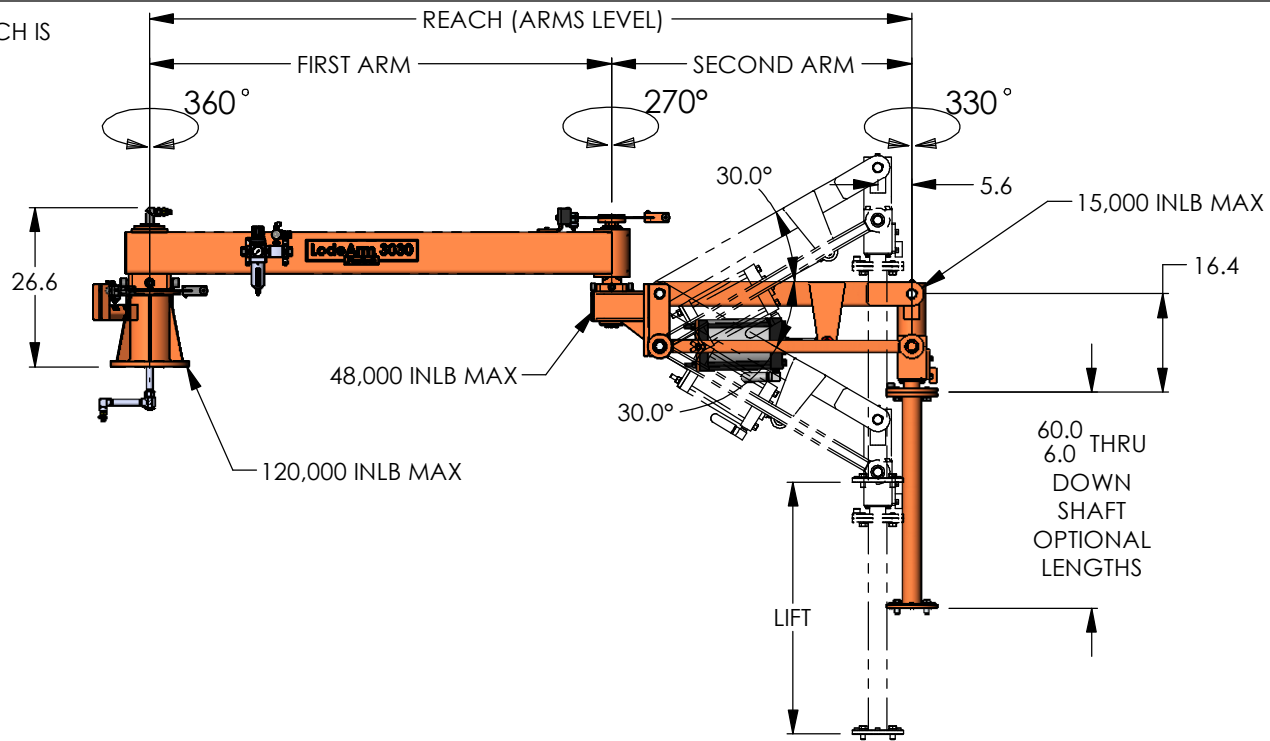
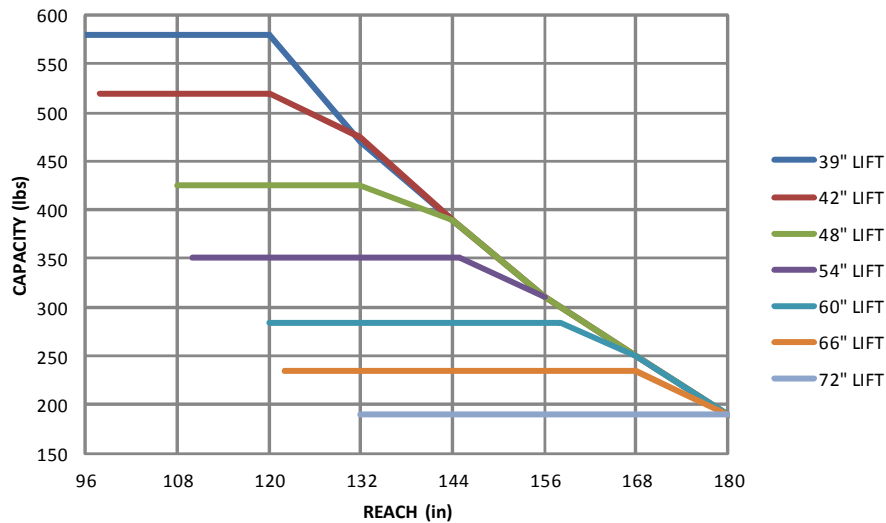


RECOMMENDED WORKING REACH IS
85% OF MAXIMUM REACH



LA 3030S CAPACITY VS. REACH



Model	Reach (in)	Lift (in)	Lift Capacity * (lbs)	First Arm Length (in)	Second Arm Length (in)	Base Machine Weight (lbs)**
LA3030S-8	98	42	520	49	49	827
LA3030S-9	108	42	520	56	52	850
LA3030S-10	120	42	520	70	50	885
LA3030S-11	132	42	475	77	55	911
LA3030S-12	144	42	390	84	60	936
LA3030S-13	156	42	310	91	65	962
LA3030S-14	168	42	250	98	70	987
LA3030S-15	180	42	190	105	75	1,013

*Requires 90 psi (120 psi maximum) and 40 SCFM clean, dry air to operate at rated capacity, includes payload and end-effector

Add SCFM consumed by any additional pneumatic equipment

**Weight was figured with a 36.0" Downshaft

POSITECH RESERVES THE RIGHT TO CHANGE SPECIFICATIONS, DESIGNS, PRICES, OR DISCONTINUED MODELS/OPTIONS, AT ANYTIME, WITHOUT NOTICE.



LODEARM® 3030S

SCALE: 1:1

DATE: 12/Aug/2016

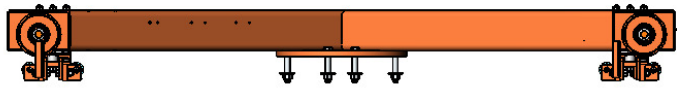
DRAWN BY: mhayek

CLASS CODE: 985

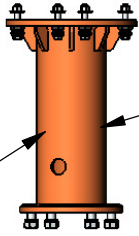
DWG NO: LODEARM® 3030S

SHT: 1 of 3

REV:

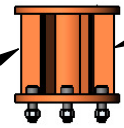


TROLLEY
(200805321)
WEIGHT: 420 LBS



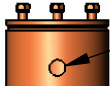
OVERHEAD SPACER
(201217125)

24" SPACER
WEIGHT: 160 LBS



PEDESTAL SPACER
(200334454)

12" SPACER
WEIGHT: 90 LBS



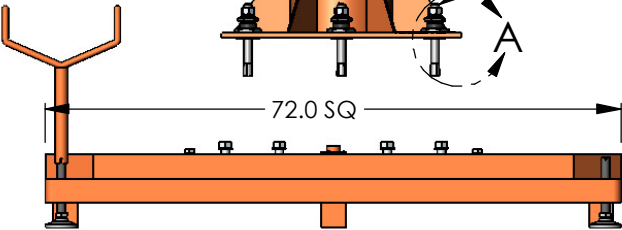
AIR ACCESS
3/4 NPT AIR LINE
CONNECTION

90" PEDESTAL
WEIGHT: 580 LBS

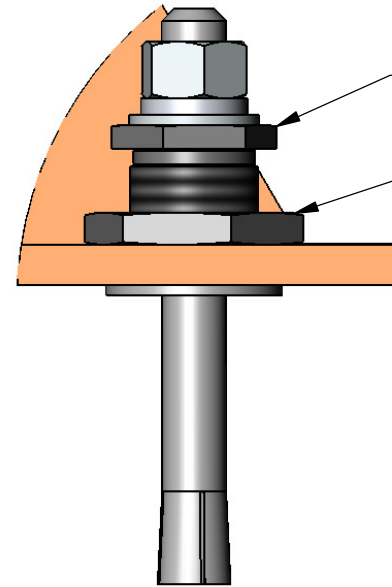
Positech

PEDESTAL
(200932860)

PEDESTAL LEVELING JACKS
1" ANCHOR BOLTS
(200932857)



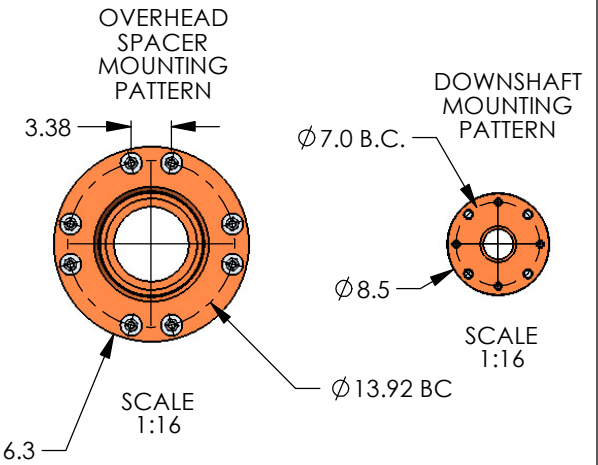
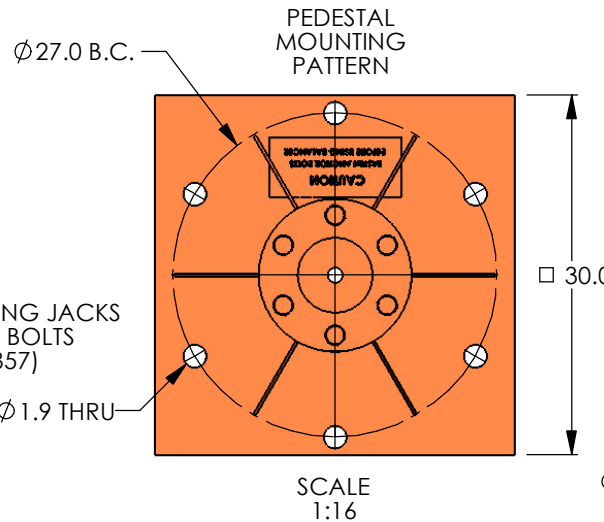
PORTABLE BASE
(201307155)
WEIGHT: 8850 LBS



ADJUSTABLE LEVELING JACK
CAN BE ADJUSTED UP OR DOWN TO
CHANGE THE LEVEL OF THE PEDESTAL

LOCK NUT

DETAIL A
SCALE 1 : 3



POSITECH RESERVES THE RIGHT TO CHANGE SPECIFICATIONS, DESIGNS, PRICES, OR DISCONTINUED MODELS/OPTIONS, AT ANYTIME, WITHOUT NOTICE.



LODEARM® 3030S

SCALE: 1:24

DATE: 12/Aug/2016

DRAWN BY: mhayek

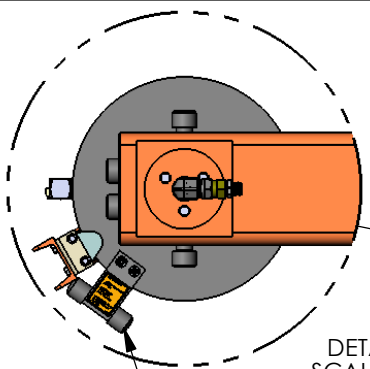
CLASS CODE: 985

DWG NO: LODEARM® 3030S

SHT: 2 of 3

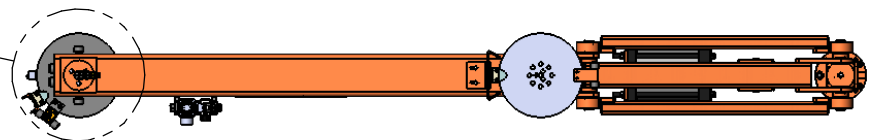
REV:

ALL DESIGNS, SKETCHES AND DRAWINGS ARE THE PROPERTY OF POSITECH CORPORATION LETTING, OR ALLOWING TO BE LET, THE KNOWLEDGE FOR DESIGN AND/OR FABRICATION FROM SAID DESIGNS, SKETCHES OR DRAWINGS WITHOUT THE WRITTEN CONSENT OF POSITECH CORPORATION IS EXPRESSLY FORBIDDEN.

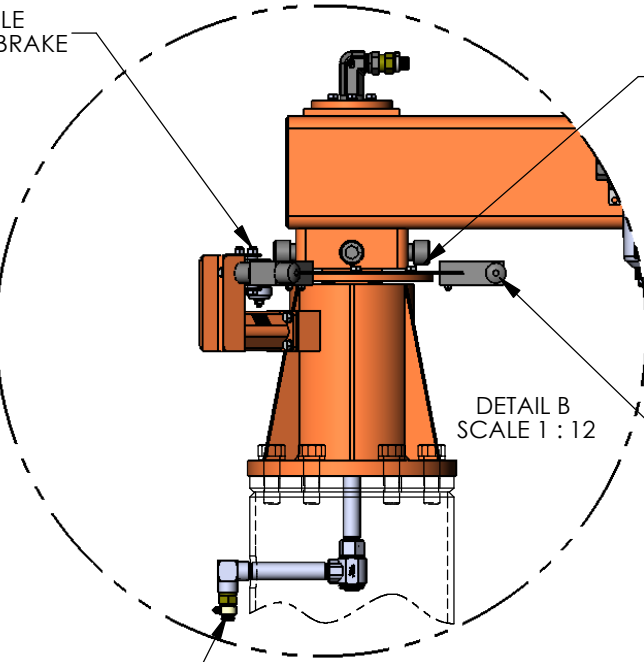


DETAIL C
SCALE 1 : 12

- ROTATION STOP INSTALLATION NOTES:
1. ROTATE ARM TO STOP POSITION
 2. SLIDE ROTATION STOP ONTO BRAKE DISK WITH BUMPER LOCATED AGAINST CALIPER BRAKE SUPPORT
 3. TIGHTEN SET SCREWS TO SET STOP LOCATION
 4. USE 3/8 TRANSFER PUNCH TO LOCATE DRILL HOLES THROUGH CENTER OF SET SCREW
 5. DRILL $\varnothing .266$ HOLES THRU BRAKE DISK
 6. TIGHTEN BOLTS, WASHERS, AND LOCK NUTS



ADJUSTABLE
FRICTION BRAKE



DETAIL B
SCALE 1 : 12

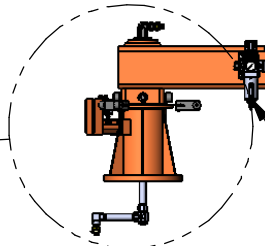
MIDDLE JOINT SHAFT
LEVELING BOLTS

OPTIONAL
MAIN POST STOP
ADJUST TO SET
WORKZONE

AIR SUPPLY 3/4 NPT
STANDARD
CONNECTION POINT

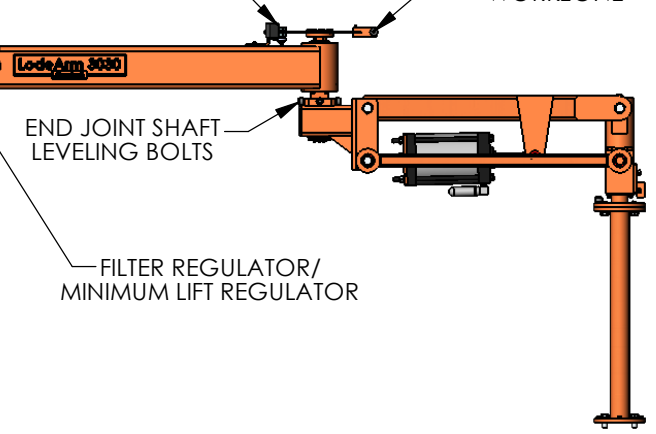
ADJUSTABLE
FRICTION BRAKE

MIDDLE JOINT
ROTATION STOP
ADJUST TO SET
WORKZONE



END JOINT SHAFT
LEVELING BOLTS

FILTER REGULATOR/
MINIMUM LIFT REGULATOR



POSITECH RESERVES THE RIGHT TO CHANGE SPECIFICATIONS, DESIGNS, PRICES, OR DISCONTINUED MODELS/OPTIONS, AT ANYTIME, WITHOUT NOTICE.



LODEARM® 3030S

SCALE: 1:32	DATE: 12/Aug/2016	DRAWN BY: mhayek	
CLASS CODE: 985	DWG: NO: LODEARM® 3030S	SHT: 3 of 3	REV:

ALL DESIGNS, SKETCHES AND DRAWINGS ARE THE PROPERTY OF POSITECH CORPORATION LETTING, OR ALLOWING TO BE LET, THE KNOWLEDGE FOR DESIGN AND/OR FABRICATION FROM SAID DESIGNS, SKETCHES OR DRAWINGS WITHOUT THE WRITTEN CONSENT OF POSITECH CORPORATION IS EXPRESSLY FORBIDDEN.