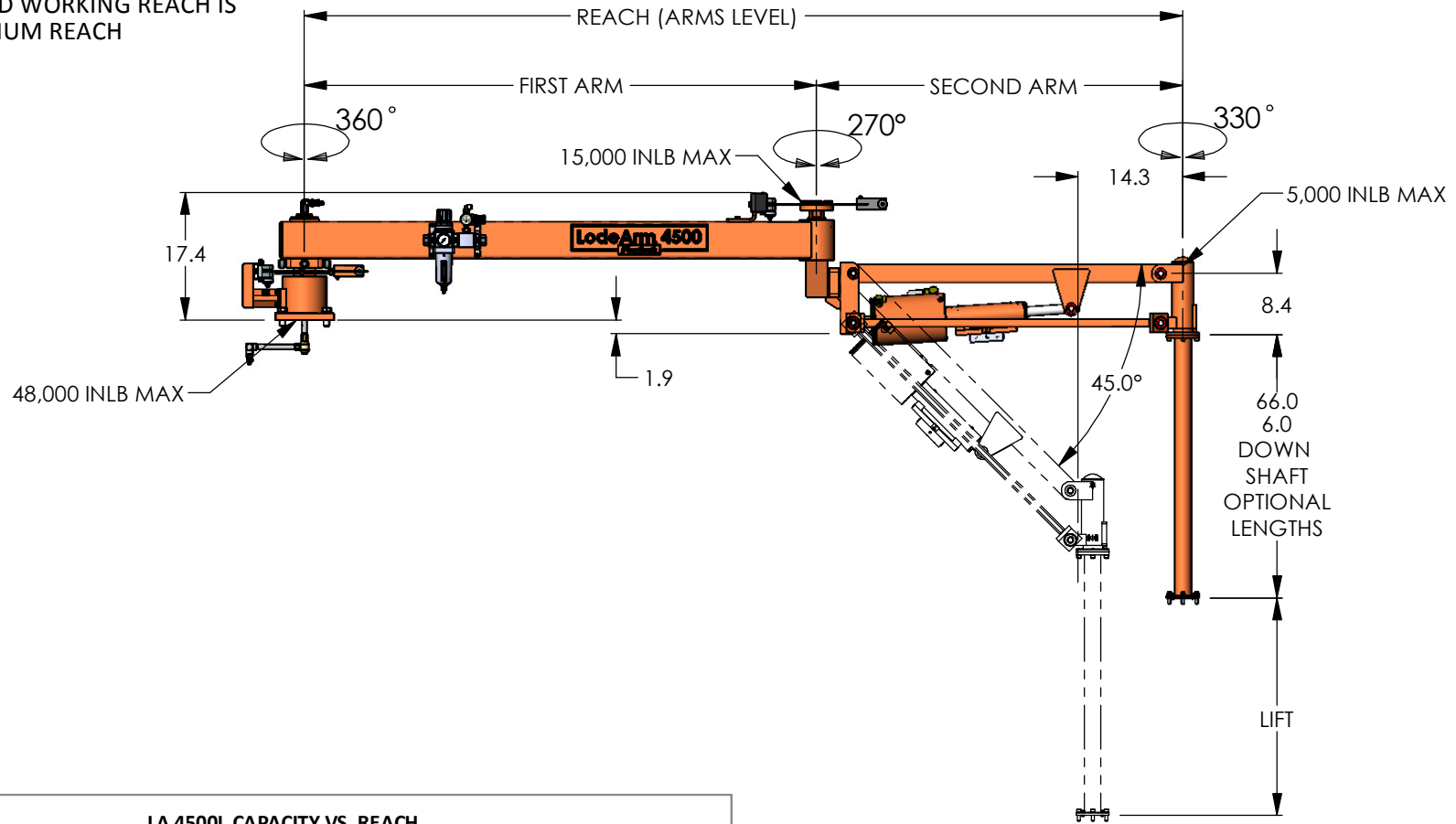
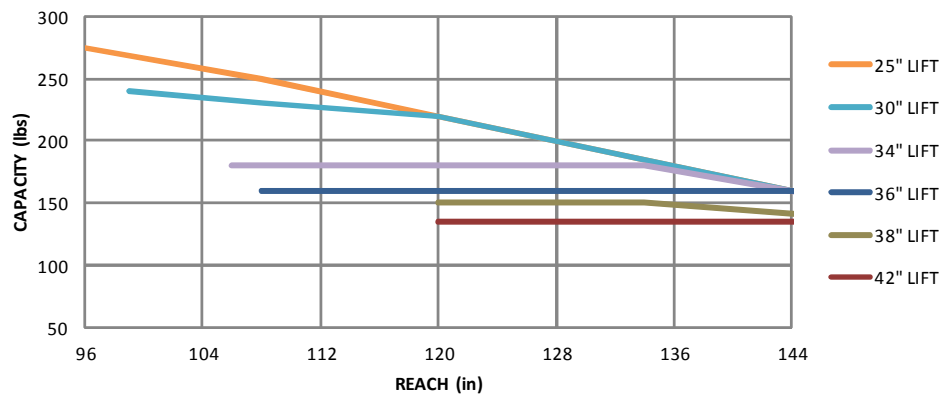


RECOMMENDED WORKING REACH IS
85% OF MAXIMUM REACH



LA 4500L CAPACITY VS. REACH



Model	Reach (in)	Lift (in)	Capacity* (lbs)	First Arm Length (in)	Second Arm Length (in)	Base Machine Weight (lbs)
LA4500L-8	99	30	240	49	50	367
LA4500L-9	108	30	230	56	52	379
LA4500L-10	120	30	220	70	50	394
LA4500L-11	132	30	190	77	55	409
LA4500L-12	144	30	160	84	60	422

*Requires 90 psi (120 psi maximum) and 20 SCFM clean, dry air to operate at rated capacity, includes payload and end-effector
Add SCFM consumed by any additional pneumatic equipment

POSITECH RESERVES THE RIGHT TO CHANGE SPECIFICATIONS, DESIGNS, PRICES, OR DISCONTINUED MODELS/OPTIONS, AT ANYTIME, WITHOUT NOTICE.



LODEARM® 4500L

SCALE: 1:32

DATE: 12/Aug/2016

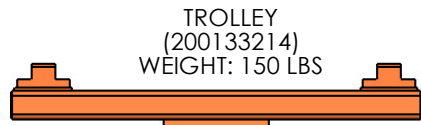
DRAWN BY: mhayek

CLASS CODE: 920

DWG NO: LODEARM® 4500L

SHT: 1 of 3

REV:



OVERHEAD SPACER
(201010605)

OVERHEAD SPACER
LEVELING JACKS
(200028803)

24" SPACER
WEIGHT: 100 LBS

AIR ACCESS
3/8 NPT AIR LINE
CONNECTION

PEDESTAL
(201301456)

AIR ACCESS
3/8 NPT AIR LINE
CONNECTION

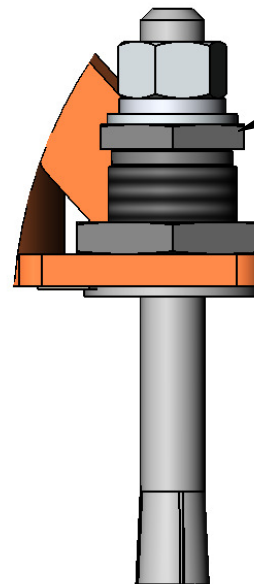
90" PEDESTAL
WEIGHT: 175 LBS

PEDESTAL LEVELING JACKS
1" ANCHOR BOLTS
(201301455)

48.0 SQ.

PORTABLE BASE
WEIGHT: 2,000 LB

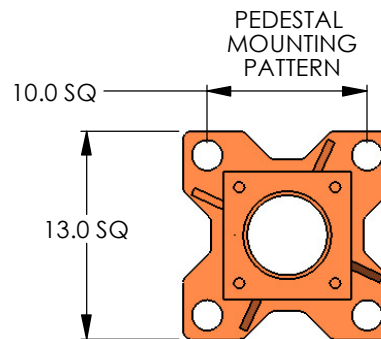
OPTIONAL PORTABLE BASE
(200920820)
WEIGHT: 2030 LBS



ADJUSTABLE LEVELING JACK
CAN BE ADJUSTED UP OR DOWN TO
CHANGE THE LEVEL OF THE PEDESTAL

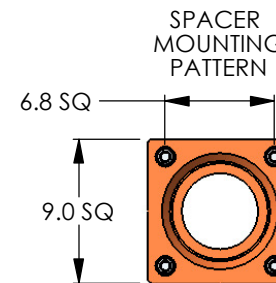
LOCK NUT

DETAIL F
SCALE 1 : 3



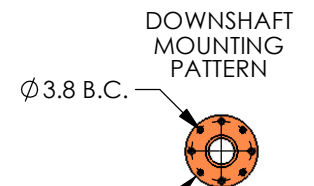
PEDESTAL
MOUNTING
PATTERN

SCALE
1:12



SPACER
MOUNTING
PATTERN

SCALE
1:12



DOWNSHAFT
MOUNTING
PATTERN

SCALE
1:12

POSITECH RESERVES THE RIGHT TO CHANGE SPECIFICATIONS, DESIGNS, PRICES, OR DISCONTINUED MODELS/OPTIONS, AT ANYTIME, WITHOUT NOTICE.



LODEARM® 4500L

SCALE: 1:20

DATE: 12/Aug/2016

DRAWN BY: mhayek

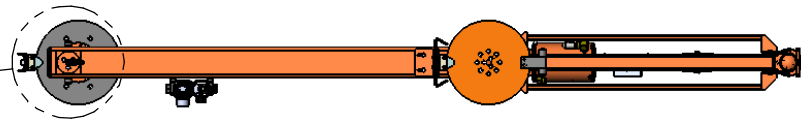
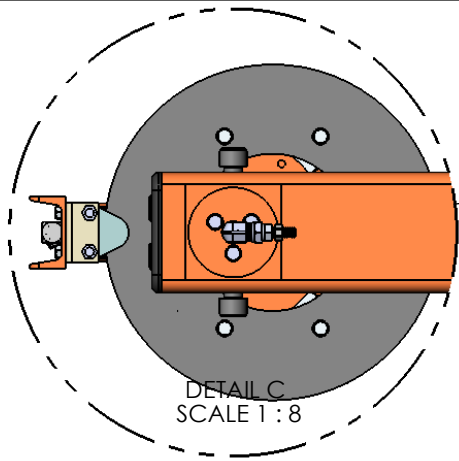
CLASS CODE: 920

DWG NO: LODEARM® 4500L

SHT: 2 of 3

REV:

ALL DESIGNS, SKETCHES AND DRAWINGS ARE THE PROPERTY OF POSITECH CORPORATION LETTING, OR ALLOWING TO BE LET, THE KNOWLEDGE FOR DESIGN AND/OR FABRICATION FROM SAID DESIGNS, SKETCHES OR DRAWINGS WITHOUT THE WRITTEN CONSENT OF POSITECH CORPORATION IS EXPRESSLY FORBIDDEN.



ADJUSTABLE
FRICTION BRAKE

MIDDLE JOINT
ROTATION STOP
ADJUST TO SET
WORK ZONE

ADJUSTABLE
FRICTION BRAKE

MIDDLE JOINT SHAFT
LEVELING BOLTS

PILOT OPERATED
LOCK VALVE

LOST LOAD
CYLINDER

FILTER REGULATOR/
MINIMUM LIFT REGULATOR

OPTIONAL
MAIN POST STOP
ADJUST TO SET
WORK ZONE

DETAIL B
SCALE 1 : 8

ROTATION STOP INSTALLATION NOTES:

1. ROTATE ARM TO STOP POSITION
2. SLIDE ROTATION STOP ONTO BRAKE DISK WITH BUMPER LOCATED AGAINST CALIPER BRAKE SUPPORT
3. TIGHTEN SET SCREWS TO SET STOP LOCATION
4. USE 3/8 TRANSFER PUNCH TO LOCATE DRILL HOLES THROUGH CENTER OF SET SCREW
5. DRILL $\varnothing .266$ HOLES THRU BRAKE DISK
6. TIGHTEN BOLTS, WASHERS, AND LOCK NUTS

AIR SUPPLY 3/8 NPT
STANDARD
CONNECTION POINT

POSITECH RESERVES THE RIGHT TO CHANGE SPECIFICATIONS, DESIGNS, PRICES, OR DISCONTINUED MODELS/OPTIONS, AT ANYTIME, WITHOUT NOTICE.

Positech
CORPORATION

LODEARM® 4500L

SCALE: 1:32

DATE: 12/Aug/2016

DRAWN BY: mhayek

CLASS CODE: 920

DWG NO: LODEARM® 4500L

SHT: 3 of 3

REV: