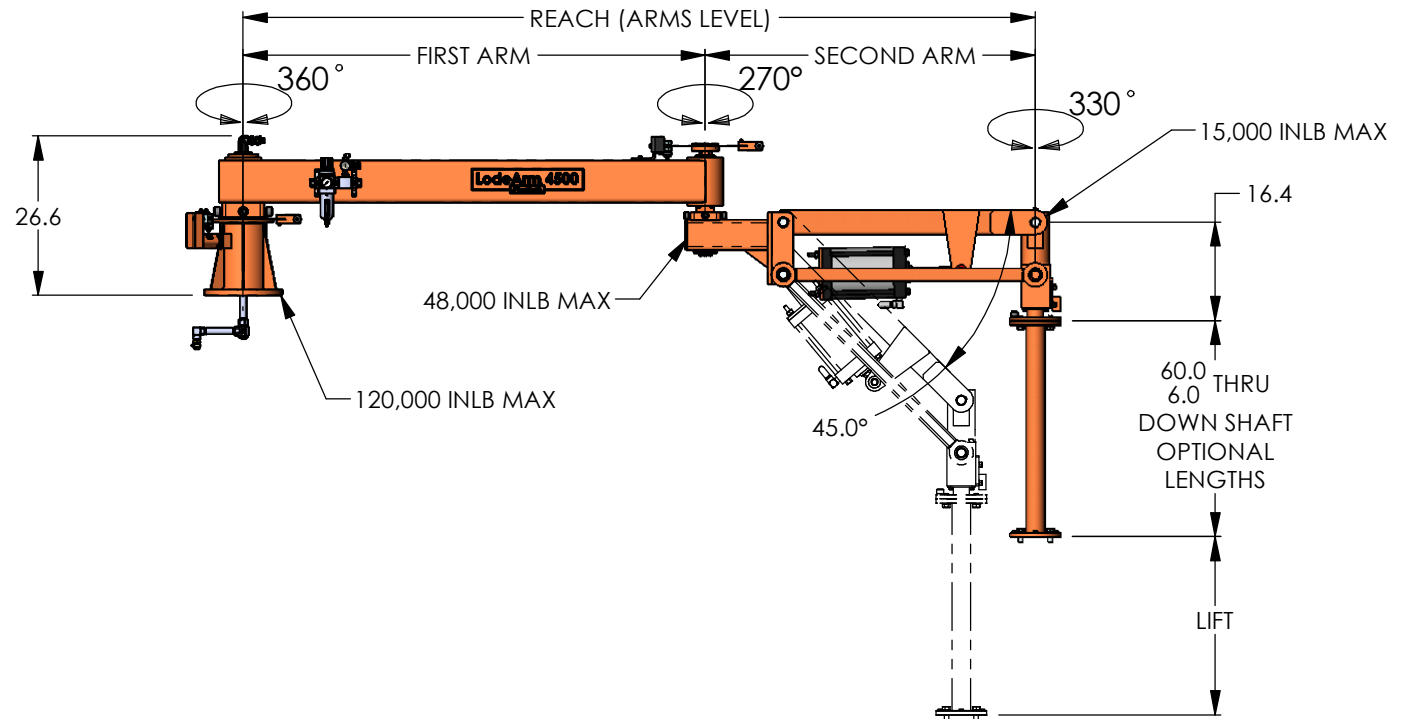
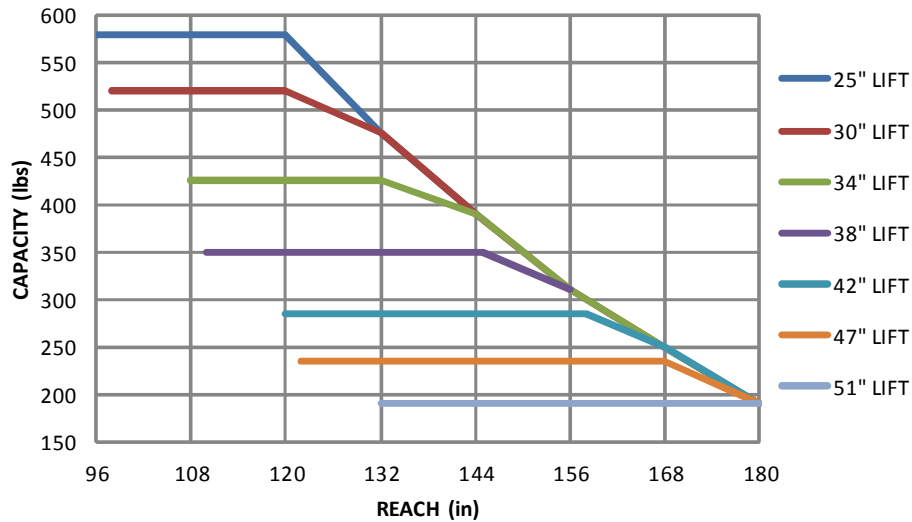


RECOMMENDED WORKING REACH IS  
85% OF MAXIMUM REACH



LA 4500S CAPACITY VS. REACH



Model	Reach (in)	Lift (in)	Lift Capacity * (lbs)	First Arm Length (in)	Second Arm Length (in)	Base Machine Weight (lbs)**
LA4500S-8	98	30	520	49	49	827
LA4500S-9	108	30	520	56	52	850
LA4500S-10	120	30	520	70	50	885
LA4500S-11	132	30	475	77	55	911
LA4500S-12	144	30	390	84	60	936
LA4500S-13	156	30	310	91	65	962
LA4500S-14	168	30	250	98	70	987
LA4500S-15	180	30	190	105	75	1,013

\*Requires 90 psi (120 psi maximum) and 40 SCFM clean, dry air to operate at rated capacity, includes payload and end-effector  
Add SCFM consumed by any additional pneumatic equipment  
\*\*Weight was figured with a 36.0" Downshaft

POSITECH RESERVES THE RIGHT TO CHANGE SPECIFICATIONS, DESIGNS, PRICES, OR DISCONTINUED MODELS/OPTIONS, AT ANYTIME, WITHOUT NOTICE.



LODEARM® 4500S

SCALE: 1:1

DATE: 09/Apr/2013

DRAWN BY: kps

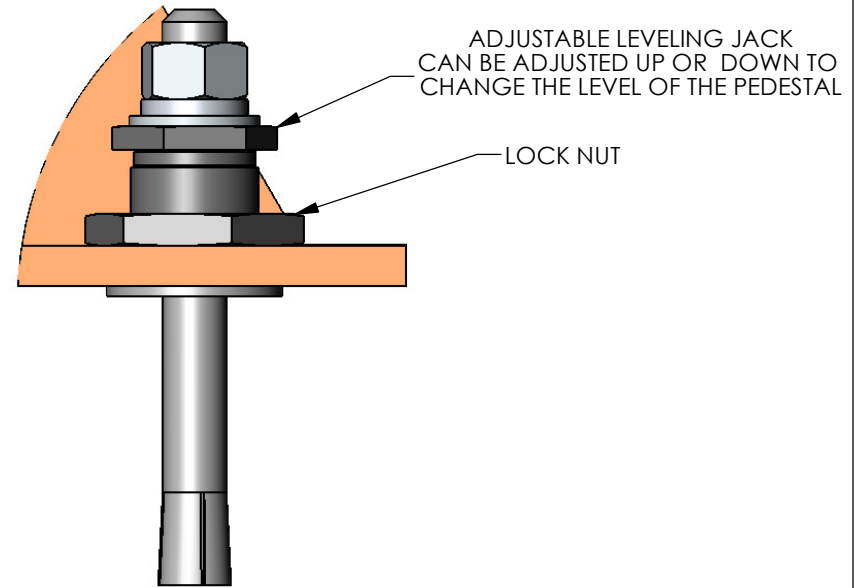
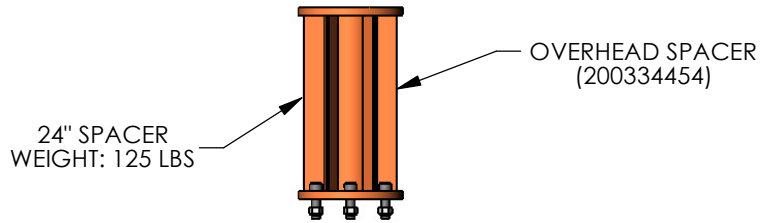
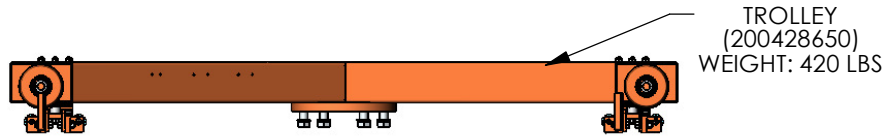
CLASS CODE: 985

DWG NO: LODEARM® 4500S

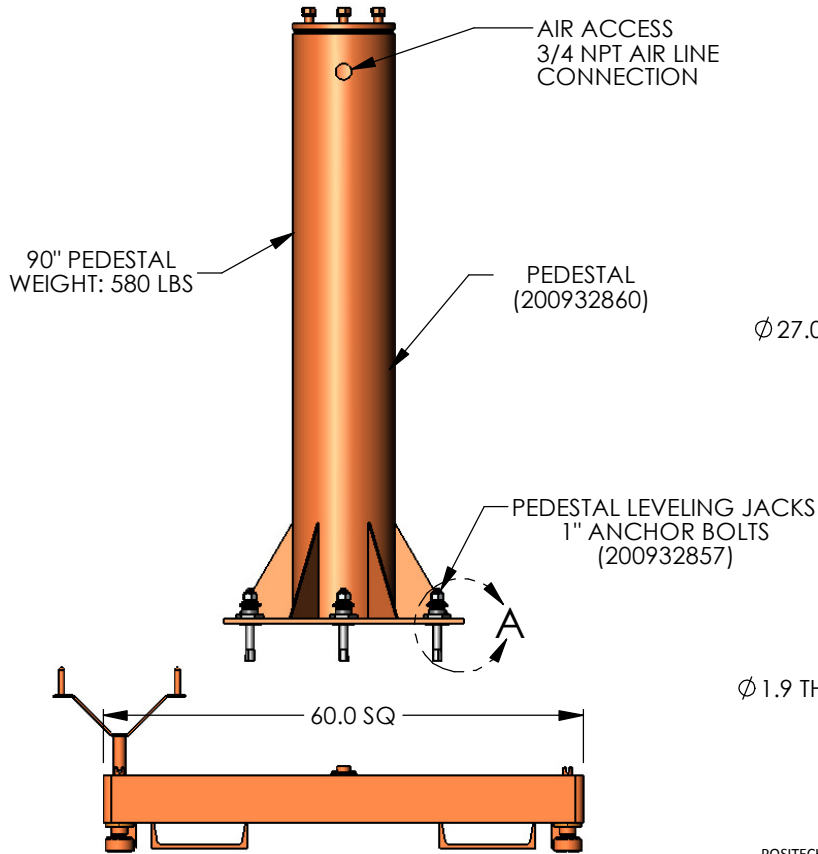
SHT: 1 of 3

REV:

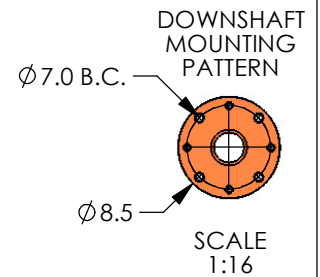
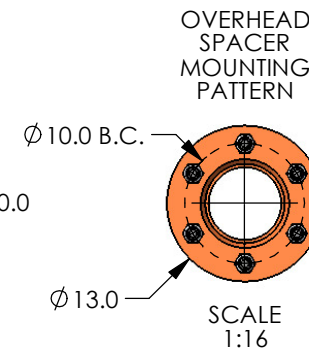
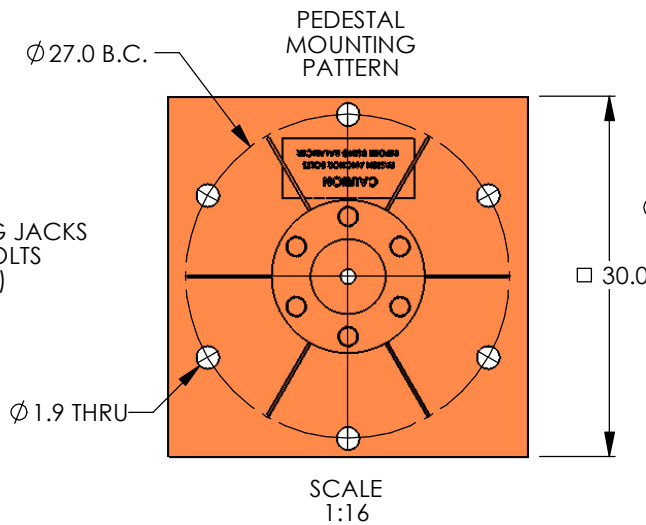
ALL DESIGNS, SKETCHES AND DRAWINGS ARE THE PROPERTY OF POSITECH CORPORATION LETTING, OR ALLOWING TO BE LET, THE KNOWLEDGE FOR DESIGN AND/OR FABRICATION FROM SAID DESIGNS, SKETCHES OR DRAWINGS WITHOUT THE WRITTEN CONSENT OF POSITECH CORPORATION IS EXPRESSLY FORBIDDEN.



DETAIL A  
SCALE 1 : 3



PORTABLE BASE  
(200206575)  
WEIGHT: 6155 LBS



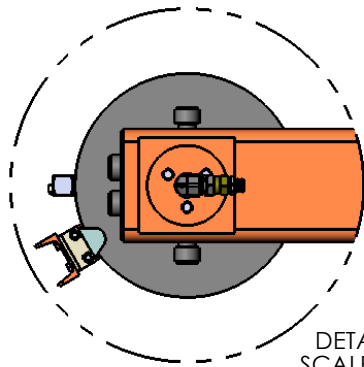
POSITECH RESERVES THE RIGHT TO CHANGE SPECIFICATIONS, DESIGNS, PRICES, OR DISCONTINUED MODELS/OPTIONS, AT ANYTIME, WITHOUT NOTICE.



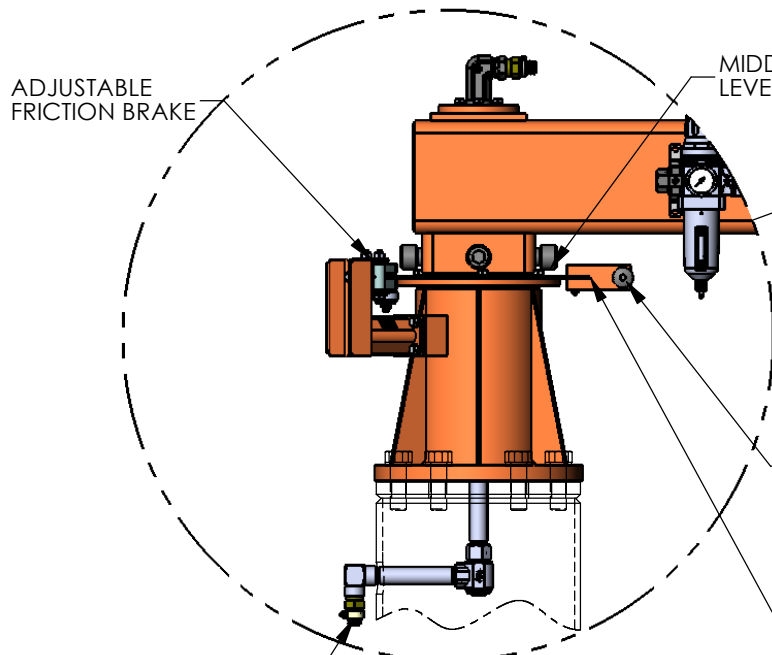
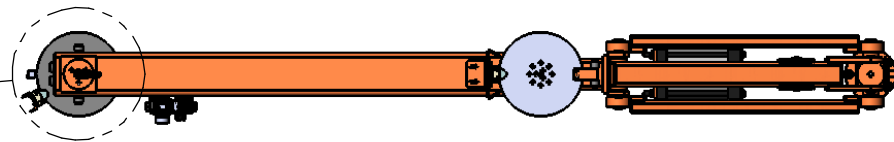
LODEARM® 4500S

SCALE: 1:24	DATE: 09/Apr/2013	DRAWN BY: kps	
CLASS CODE: 985	DWG NO: LODEARM® 4500S	SHT: 2 of 3	REV:

ALL DESIGNS, SKETCHES AND DRAWINGS ARE THE PROPERTY OF POSITECH CORPORATION LETTING, OR ALLOWING TO BE LET, THE KNOWLEDGE FOR DESIGN AND/OR FABRICATION FROM SAID DESIGNS, SKETCHES OR DRAWINGS WITHOUT THE WRITTEN CONSENT OF POSITECH CORPORATION IS EXPRESSLY FORBIDDEN.



DETAIL C  
SCALE 1 : 12



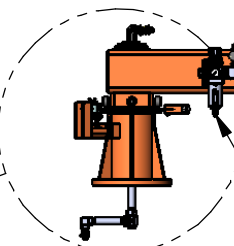
ADJUSTABLE  
FRICTION BRAKE

MIDDLE JOINT SHAFT  
LEVELING BOLTS

OPTIONAL  
MAIN POST STOP  
ADJUST TO SET  
WORKZONE

AIR SUPPLY 3/4 NPT  
STANDARD  
CONNECTION POINT

DETAIL B  
SCALE 1 : 12



ADJUSTABLE  
FRICTION BRAKE

MIDDLE JOINT  
ROTATION STOP  
ADJUST TO SET  
WORKZONE

END JOINT SHAFT  
LEVELING BOLTS

FILTER REGULATOR/  
MINIMUM LIFT REGULATOR

- ROTATION STOP INSTALLATION NOTES:
1. ROTATE ARM TO STOP POSITION
  2. SLIDE ROTATION STOP ONTO BRAKE DISK WITH BUMPER LOCATED AGAINST CALIPER BRAKE SUPPORT
  3. TIGHTEN SET SCREWS TO SET STOP LOCATION
  4. USE 3/8 TRANSFER PUNCH TO LOCATE DRILL HOLES THROUGH CENTER OF SET SCREW
  5. DRILL  $\phi .266$  HOLES THRU BRAKE DISK
  6. TIGHTEN BOLTS, WASHERS, AND LOCK NUTS

POSITECH RESERVES THE RIGHT TO CHANGE SPECIFICATIONS, DESIGNS, PRICES, OR DISCONTINUED MODELS/OPTIONS, AT ANYTIME, WITHOUT NOTICE.



LODEARM® 4500S

SCALE: 1:32

DATE: 09/Apr/2013

DRAWN BY: kps

CLASS CODE: 985

DWG NO: LODEARM® 4500S

SHT: 3 of 3

REV:

ALL DESIGNS, SKETCHES AND DRAWINGS ARE THE PROPERTY OF POSITECH CORPORATION LETTING, OR ALLOWING TO BE LET, THE KNOWLEDGE FOR DESIGN AND/OR FABRICATION FROM SAID DESIGNS, SKETCHES OR DRAWINGS WITHOUT THE WRITTEN CONSENT OF POSITECH CORPORATION IS EXPRESSLY FORBIDDEN.