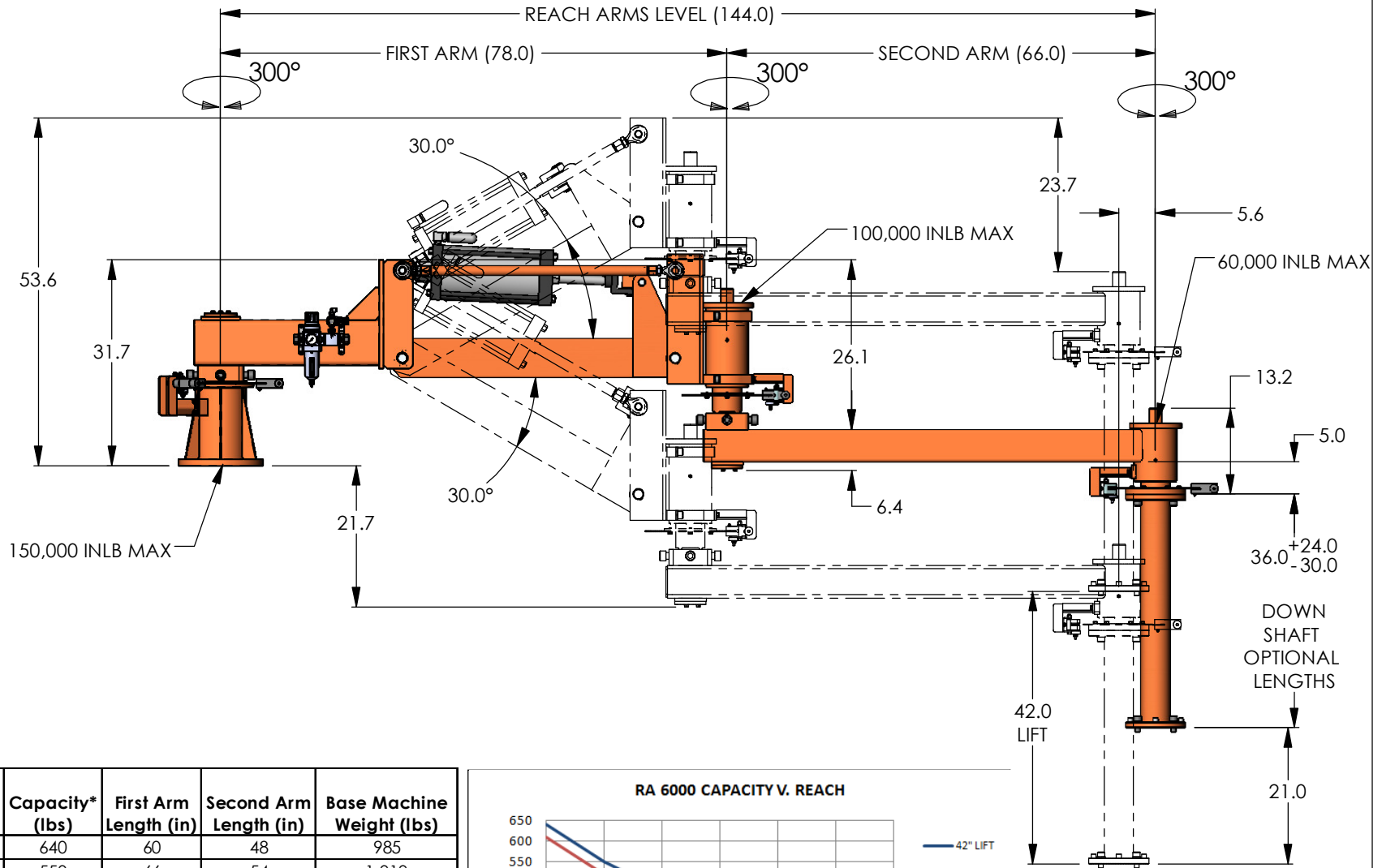


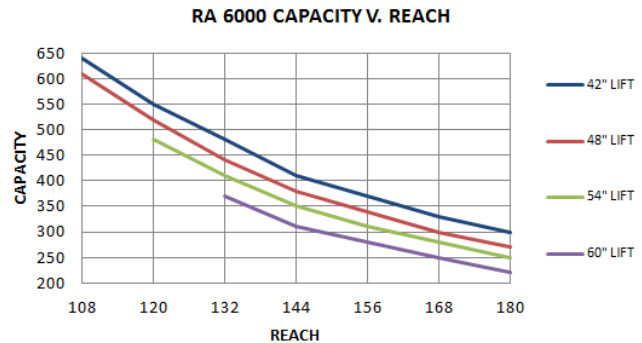
RECOMMENDED WORKING REACH IS
85% OF MAXIMUM REACH



Model	Reach (in)	Lift (in)	Capacity* (lbs)	First Arm Length (in)	Second Arm Length (in)	Base Machine Weight (lbs)
RA 6000-9	108	42	640	60	48	985
RA 6000-10	120	42	550	66	54	1,010
RA 6000-11	132	42	480	72	60	1,035
RA 6000-12	144	42	410	78	66	1,060
RA 6000-13	156	42	370	84	72	1,085
RA 6000-14	168	42	330	90	78	1,110
RA 6000-15	180	42	300	96	84	1,130

*Requires 90 psi (120 psi maximum) and 40 SCFM clean, dry air to operate at rated capacity, includes payload and end-effector

Add SCFM consumed by any additional pneumatic equipment



POSITECH RESERVES THE RIGHT TO CHANGE SPECIFICATIONS, DESIGNS, PRICES, OR DISCONTINUED MODELS/OPTIONS, AT ANYTIME, WITHOUT NOTICE.



REACTIONARM® 6000

SCALE: 1:24

DATE: Sep-16-2015

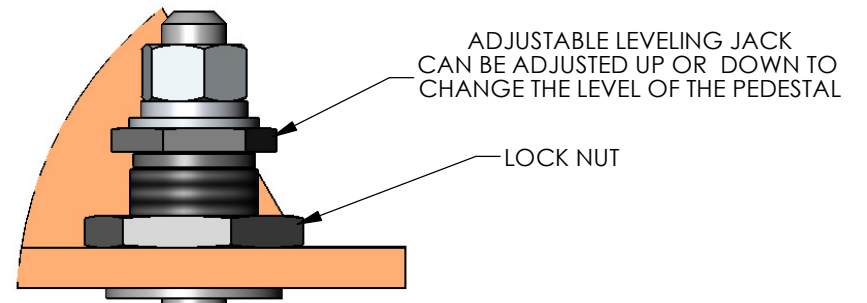
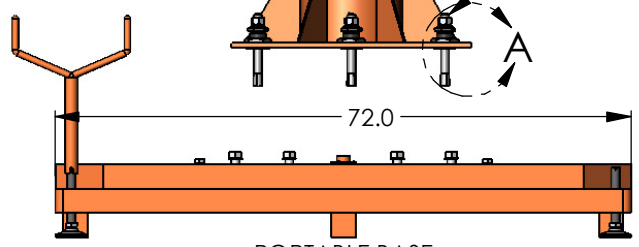
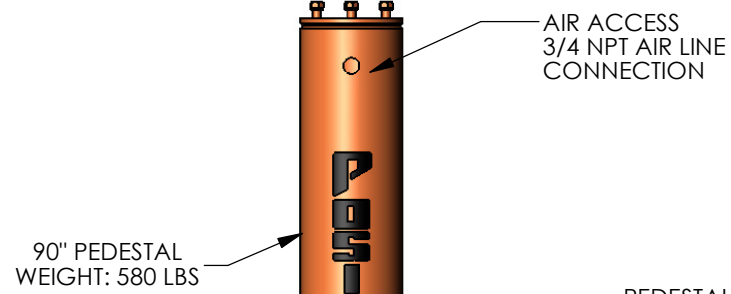
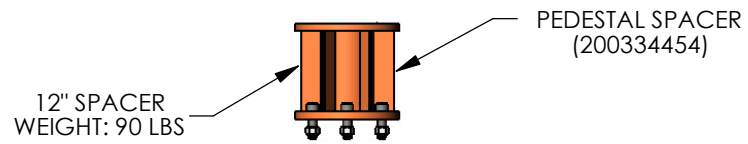
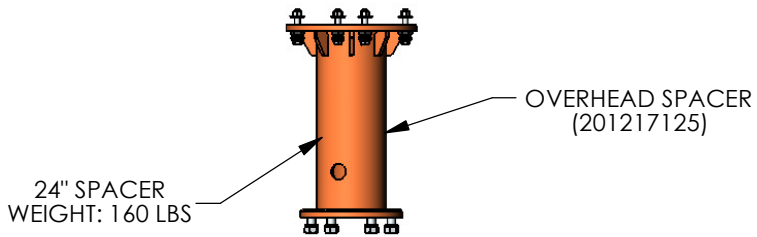
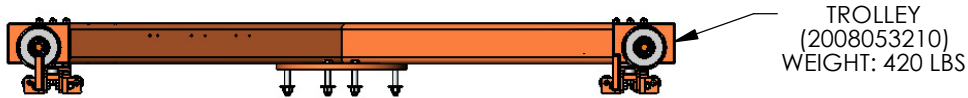
DRAWN BY: mhayek

CLASS CODE: 985

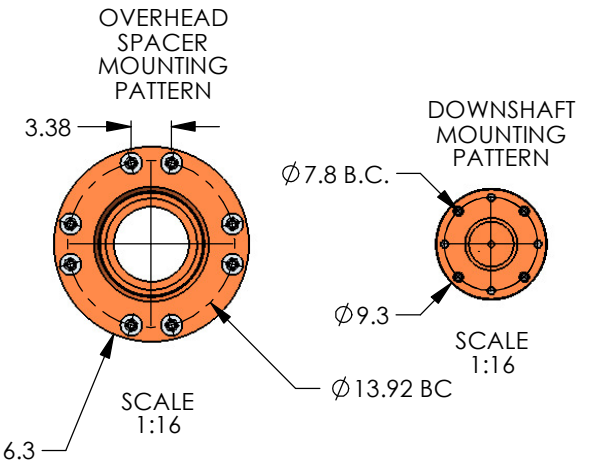
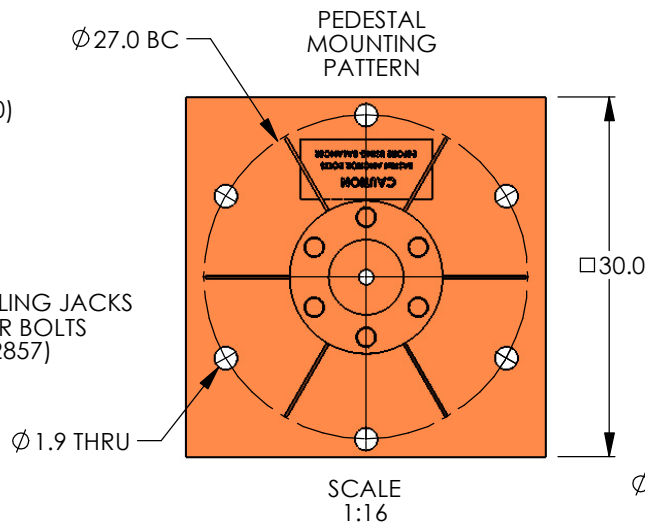
DWG NO: REACTIONARM® 6000

SHT: 1 of 3

REV:



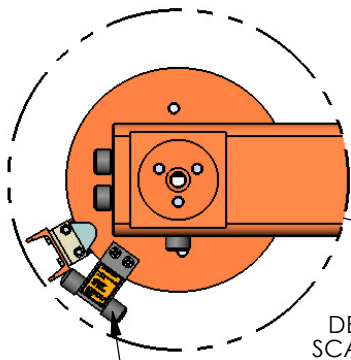
DETAIL A
SCALE 1 : 3



POSITECH RESERVES THE RIGHT TO CHANGE SPECIFICATIONS, DESIGNS, PRICES, OR DISCONTINUED MODELS/OPTIONS, AT ANYTIME, WITHOUT NOTICE.

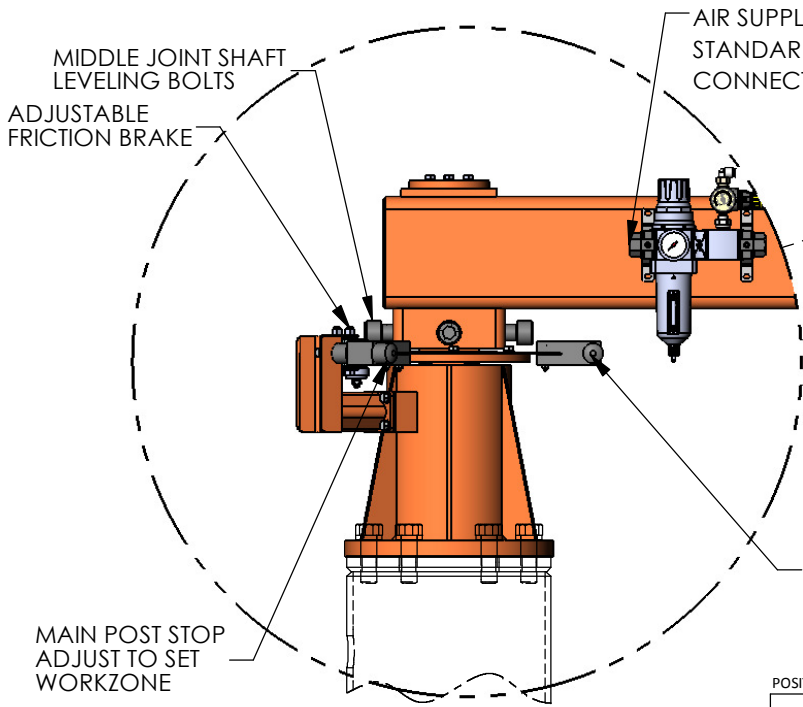
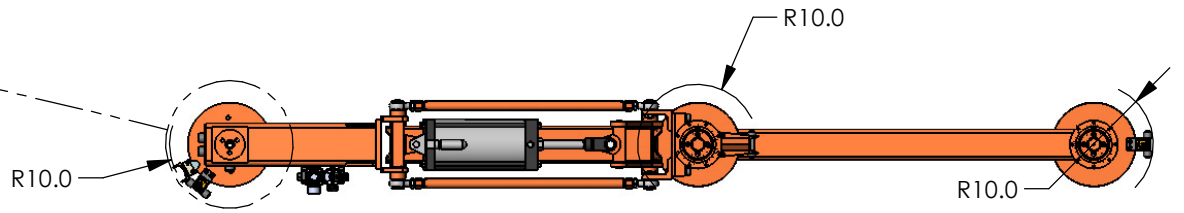
ALL DESIGNS, SKETCHES AND DRAWINGS ARE THE PROPERTY OF POSITECH CORPORATION LETTING, OR ALLOWING TO BE LET, THE KNOWLEDGE FOR DESIGN AND/OR FABRICATION FROM SAID DESIGNS, SKETCHES OR DRAWINGS WITHOUT THE WRITTEN CONSENT OF POSITECH CORPORATION IS EXPRESSLY FORBIDDEN.

		REACTIONARM® 6000	
		SCALE: 1:24	DATE: Sep-16-2015
CLASS CODE: 985	DWG NO: REACTIONARM® 6000	DRAWN BY: mhayek	SHT: 2 of 3
			REV:



DETAIL C
SCALE 1 : 12

- ROTATION STOP INSTALLATION NOTES:
1. ROTATE ARM TO STOP POSITION
 2. SLIDE ROTATION STOP ONTO BRAKE DISK WITH BUMPER LOCATED AGAINST CALIPER BRAKE SUPPORT
 3. TIGHTEN SET SCREWS TO SET STOP LOCATION
 4. USE 3/8 TRANSFER PUNCH TO LOCATE DRILL HOLES THROUGH CENTER OF SET SCREW
 5. DRILL ϕ .266 HOLES THRU BRAKE DISK
 6. TIGHTEN BOLTS, WASHERS, AND LOCK NUTS



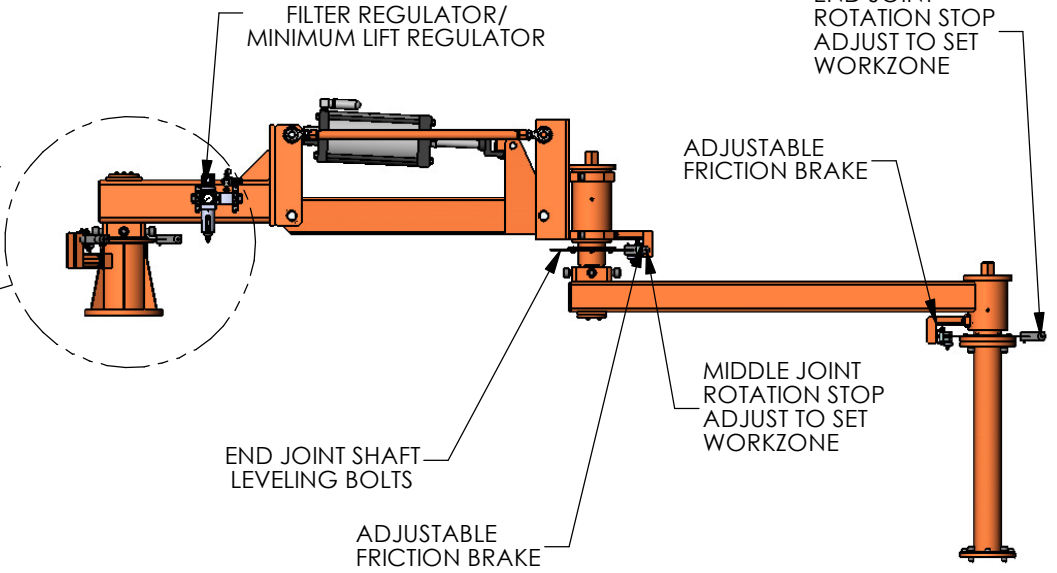
DETAIL B
SCALE 1 : 12

MIDDLE JOINT SHAFT
LEVELING BOLTS
ADJUSTABLE
FRICTION BRAKE

AIR SUPPLY 3/4 NPT
STANDARD
CONNECTION POINT

MAIN POST STOP
ADJUST TO SET
WORKZONE

OPTIONAL
MAIN POST STOP
ADJUST TO SET
WORKZONE



FILTER REGULATOR/
MINIMUM LIFT REGULATOR

END JOINT
ROTATION STOP
ADJUST TO SET
WORKZONE

ADJUSTABLE
FRICTION BRAKE

END JOINT SHAFT
LEVELING BOLTS

MIDDLE JOINT
ROTATION STOP
ADJUST TO SET
WORKZONE

ADJUSTABLE
FRICTION BRAKE

POSITECH RESERVES THE RIGHT TO CHANGE SPECIFICATIONS, DESIGNS, PRICES, OR DISCONTINUED MODELS/OPTIONS, AT ANYTIME, WITHOUT NOTICE.

ALL DESIGNS, SKETCHES AND DRAWINGS ARE THE PROPERTY OF POSITECH CORPORATION LETTING, OR ALLOWING TO BE LET, THE KNOWLEDGE FOR DESIGN AND/OR FABRICATION FROM SAID DESIGNS, SKETCHES OR DRAWINGS WITHOUT THE WRITTEN CONSENT OF POSITECH CORPORATION IS EXPRESSLY FORBIDDEN.



REACTIONARM® 6000

SCALE: 1:32	DATE: Sep-16-2015	DRAWN BY: mhayek	
CLASS CODE: 985	DWG NO: REACTIONARM® 6000	SHT: 3 of 3	REV: